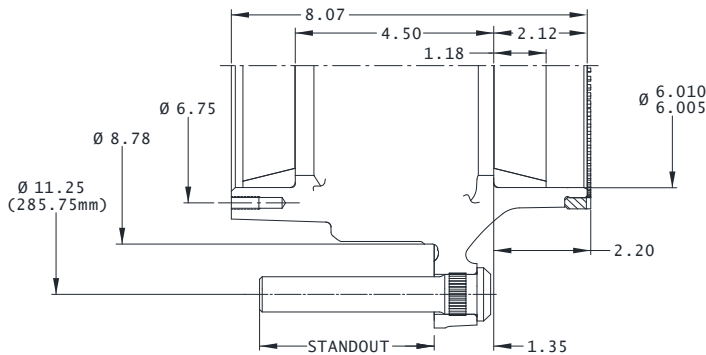


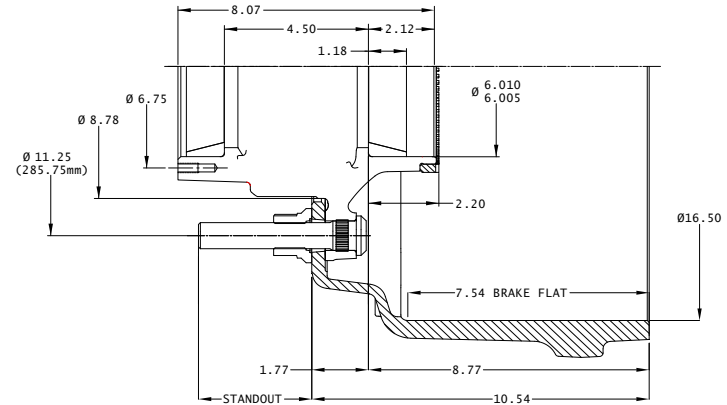
# Walther Engineering and Manufacturing Co., Inc.

## Application Guide for 161 Hub with Fill Port and Magnetic Plug

Part Number	Application	Standout	Lbs.	Bolts
<b>Easy-Roll™ Hubs for P Straight-Spindle Axles with Fill Plug</b>				
10-00161M-001	Hub Piloted/Aluminum Dual Wheel	3.96"	47	02-00045
10-00161M-002	Hub Piloted/Steel Dual Wheel	3.03"	45	02-00044
10-00161M-003	Stud Piloted RH/Cast Brake Drum	1.88"	42	02-00057
10-00161M-004	Stud Piloted LH/Cast Brake Drum	1.88"	42	20-00058
10-00161M-005	Stud Piloted RH/Fused Brake Drum	1.63"	42	02-00061
10-00161M-006	Stud Piloted LH/Fused Brake Drum	1.63"	42	20-00062
10-00161M-101	ABS Hub Piloted/Aluminum Dual Wheel	3.96"	47	02-00045
10-00161M-102	ABS Hub Piloted/Steel Dual Wheel	3.03"	46	02-00044
10-00161M-103	ABS Stud Piloted RH/Cast Brake Drum	1.88"	43	02-00057
10-00161M-104	ABS Stud Piloted LH/Cast Brake Drum	1.88"	43	20-00058
10-00161M-105	ABS Stud Piloted RH/Fused Brake Drum	1.63"	43	02-00061
10-00161M-106	ABS Stud Piloted LH/Fused Brake Drum	1.63"	43	20-00062



Part Number	Application	Standout	Lbs.	Bolts
<b>Easy-Roll™ Hubs for P Straight-Spindle Axles with 16.5 x 7" Cast Drum with Fill Plug</b>				
1003161M-031043*	Hub/Cast Drum Assy,HP,AL Whl	3.54"	156	02-00045
1003161M-032043*	Hub/Cast Drum Assy,HP,ST Whl	2.61"	155	02-00044
1006161M-033043	Hub/Cast Drum Assy, SP, RH	1.46"	151	02-00057
1007161M-034043	Hub/Cast Drum Assy, SP, LH	1.46"	151	20-00058
1003161M-131043*	ABS Hub/Cast Drum Assy,HP,AL Whl	3.54"	157	02-00045
1003161M-132043*	ABS Hub/Cast Drum Assy,HP,ST Whl	2.61"	155	02-00044
1006161M-133043	ABS Hub/Cast Drum Assy, SP, RH	1.46"	152	02-00057
1007161M-134043	ABS Hub/Cast Drum Assy, SP, LH	1.46"	152	20-00058



### P Bearings

HM518410	bearing cup - outer bore
HM518410	bearing cup - inner bore
HM518445	bearing cone

### Drums

03-00043	16.5 x 7" Cast Brake Drum	108 lbs
13-00095	16.5 x 7" Centrifuse® Brake Drum (89996f	90 lbs
13-00060	16.5 x 8.62" Balanced Brake Drum	122 lbs

### Component Parts

02-39702	Metform - Two-piece, Flanged Wheel Nut,M22x1.5	.4 lbs
05-00046	Tone Ring - 100 Teeth, 6.77 Dia. Pitch Circle	.9 lbs
02-00166	9/16-18 Fill Plug - Magnetic	Torque 16-19 LB-FT

### Hub Dynamic Load Ratings

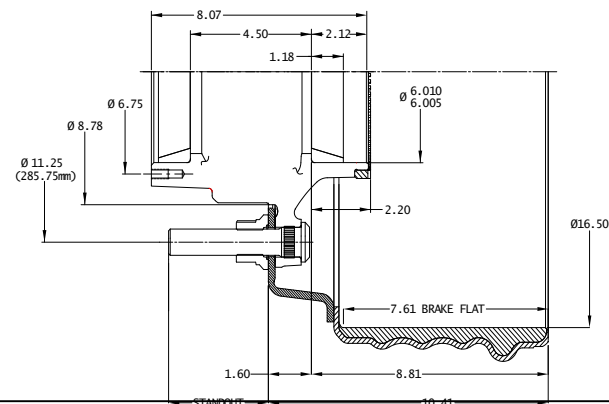
Single Wheel Offset	Load/Hub
0	12,500 lbs
0.56"	12,043 lbs
2.00"	11,000 lbs
2.38"	10,765 lbs
2.75"	10,538 lbs
3.50"	10,105 lbs
3.88"	9,899 lbs
6.66"	7,300 lbs

### Estimated Lubricant Fill Volumes\*\*

<b>30.8 fl-oz</b>	Oil Lubrication Fill Level
<b>129.3 in<sup>3</sup></b>	Vol. Between Cup Seats Including Spindle Displacement
<b>35.8 fl-oz</b>	50% Fill Level for Semi-Fluid, Including Spindle Displacement

### Part Number

Part Number	Application	Standout	Lbs.	Bolts
<b>Easy-Roll™ Hubs for P Straight-Spindle Axles with 16.5 x 7" Centrifuse® with Fill Plug</b>				
1003161M-041095*	Hub/Fused Drum Assy,HP,AL Whl	3.71"	138	02-00045
1003161M-042095*	Hub/Fused Drum Assy,HP,ST Whl	2.78"	136	02-00044
1006161M-045095	Hub/Fused Drum Assy,SP, RH	1.38"	133	02-00061
1007161M-046095	Hub/Fused Drum Assy, SP,LH	1.38"	133	20-00062
1003161M-141095*	ABS Hub/Fused Drum Assy,HP,AL Whl	3.71"	139	02-00045
1003161M-142095*	ABS Hub/Fused Drum Assy,HP,ST Whl	2.78"	137	02-00044
1006161M-145095	ABS Hub/Fused Drum Assy,SP,RH	1.38"	134	02-00061
1007161M-146095	ABS Hub/Fused Drum Assy,SP,LH	1.38"	134	20-00062



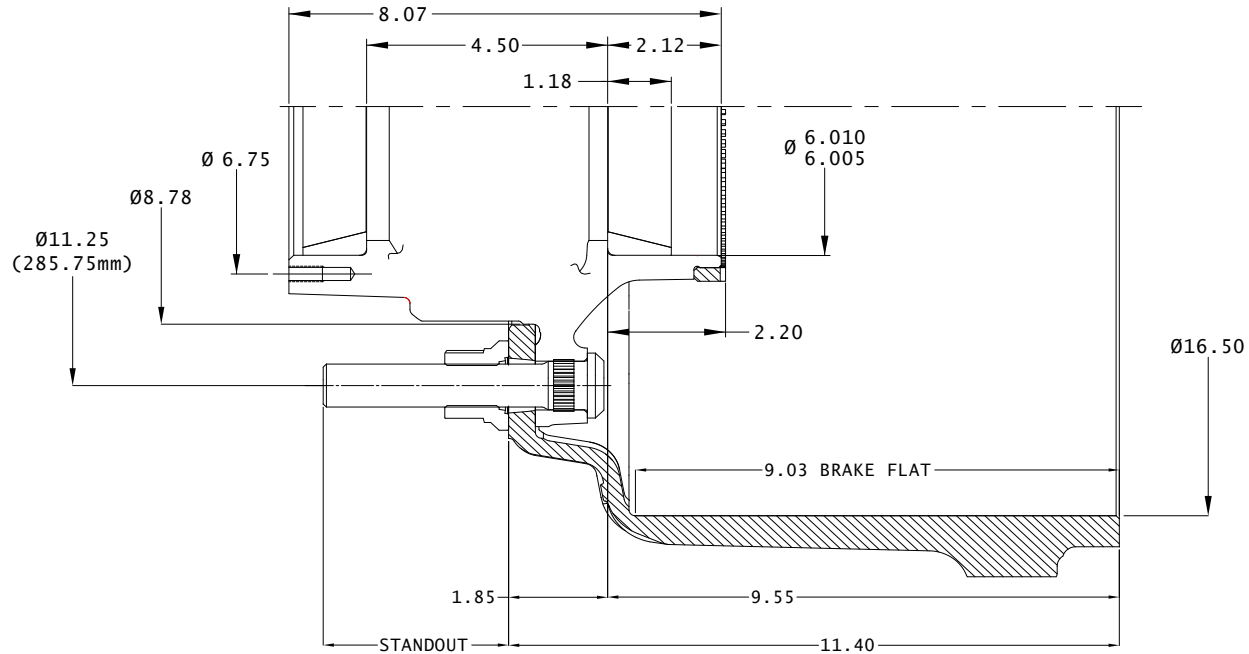
\*\* Actual lubricant volume should be adjusted for specific components used. See TMC RP 631B

\* Includes two flanged wheel nuts # Includes ten flanged wheel nuts

# Walther Engineering and Manufacturing Co., Inc.

## Application Guide for 161 Hub with Fill Port and Magnetic Plug

Part Number	Application	Standout	Lbs.	Bolts
<b>Easy Roll™ Hubs for P Straight-Spindle Axles with 16.5 x 8.62" Cast Brake Drum with Magnetic Fill Plug</b>				
1003161M-021060*	Hub/Bal Drum Assy,HP,AL Whl	3.46"	169	02-00045
1003161M-022060*	Hub/Bal Drum Assy,HP,ST Whl	2.53"	167	02-00044
1006161M-023060	Hub/Bal Drum Assy,SP,RH	1.38"	164	02-00057
1007161M-024060	Hub/Bal Drum Assy, SP,LH	1.38"	164	20-00058
1003161M-121060* ABS	Hub/Bal Drum Assy,HP,Al Whl	3.46"	170	02-00045
1003161M-122060* ABS	Hub/Bal Drum Assy,HP,St Whl	2.53"	168	02-00044
1006161M-123060 ABS	Hub/Bal Drum Assy,SP,RH	1.38"	165	02-00057
1007161M-124060 ABS	Hub/Bal Drum Assy,SP,LH	1.38"	165	20-00058



\* Includes two flanged wheel nuts