

Walther Engineering and Manufacturing Co., Inc.

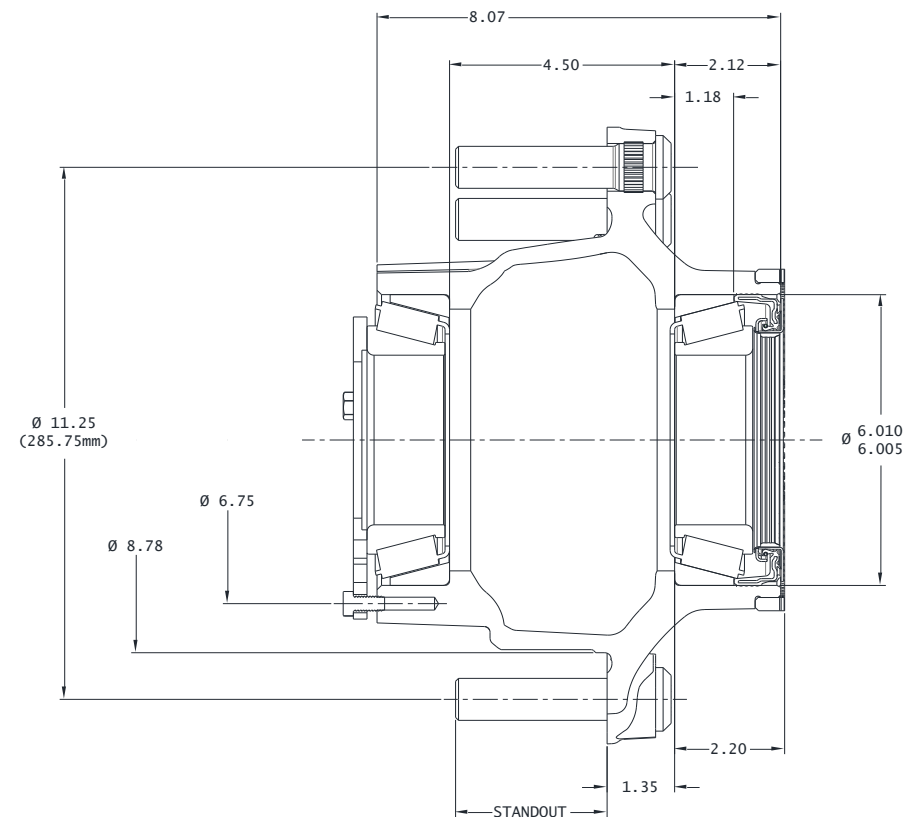


Application Guide for 161 SpeedMount Hub®

Easy-Roll Hubs™ for P Straight-Spindle Axles with Scotseal® X-Treme					Easy-Roll Hubs™ for P Straight-Spindle Axles with Stemco Discover® XR				
Part Number*	Application	Standout	Lbs.	Bolts	Part Number#	Application	Standout	Lbs.	Bolts
100-00161-101	ABS Hub Piloted/Aluminum Dual Wheel	3.96	58	02-00045	101-20161-101	ABS Hub Piloted/Aluminum Dual Wheel	3.96"	58	02-00045
					101-20161-102	ABS Hub Piloted/Steel Dual Wheel	3.03"	56	02-00044

Easy-Roll Hubs™ for P Straight-Spindle Axles with Scotseal® X-Treme and Fill Plug					Easy-Roll Hubs™ for P Straight-Spindle Axles with Stemco Discover® XR and Fill Plug				
Part Number*	Application	Standout	Lbs.	Bolts	Part Number#	Application	Standout	Lbs.	Bolts
Contact us at waltheremc.com					101-20161F-101	ABS Hub Piloted/Aluminum Dual Wheel	3.96"	58	02-00045
					101-20161F-102	ABS Hub Piloted/Steel Dual Wheel	3.03"	56	02-00044

Dimensions for all part number configurations



P Bearings

HM518410	bearing cup - outer bore
HM518410	bearing cup - inner bore
HM518445	bearing cone - outer bore
HM518445	bearing cone - inner bore

* Part Numbers listed are assembled with General Bearing cups and cones.

Part Numbers listed are assembled with Stemco cups and cones.

Component Parts

05-00037	Tone Ring - 100 Teeth, 6.77 Dia. Pitch Circle	
42627XT	Scotseal® X-Treme	
373-0423	Stemco Discover® XR	
90-00249	Bearing Retainer	
1305010	5/16-18 x .62, Hex Bolt	
02-00196	9/16-18 Fill Plug - Non-Magnetic	Torque 16-19 LB-FT

Hub Dynamic Load Ratings

Single Wheel Offset	Load/Hub
0	12,500 lbs
0.56"	12,043 lbs
2.00"	11,000 lbs
2.38"	10,765 lbs
2.75"	10,538 lbs
3.50"	10,105 lbs
3.88"	9,899 lbs
6.66"	7,300 lbs

Estimated Lubricant Fill Volumes**

30.8 fl-oz	Oil Lubrication Fill Level
129.3 in³	Vol. Between Cup Seats Including Spindle Displacement
35.8 fl-oz	50% Fill Level for Semi-Fluid, Including Spindle Displacement

** Actual lubricant volume should be adjusted for specific components used. See TMC RP 631C

Scotseal® X-Treme is a registered trademark for SKF, Discover® XR is a registered trademark for Stemco