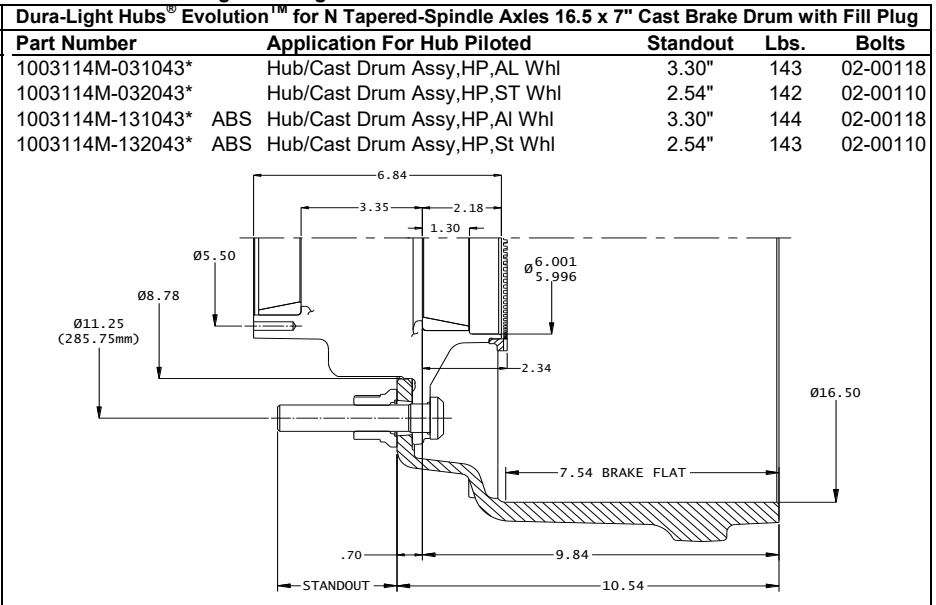
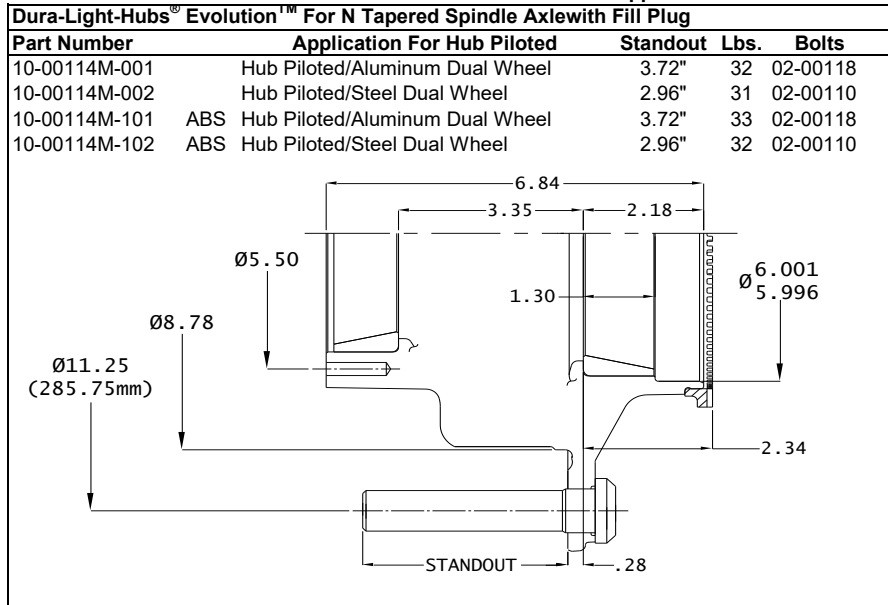


# Walther Engineering and Manufacturing Co., Inc.

## Application Guide for 114 Hub with Fill Port and Magnetic Plug



Part Number	Application for Stud Piloted	Standout	Lbs.	Bolts
Contact us at waltheremc.com				

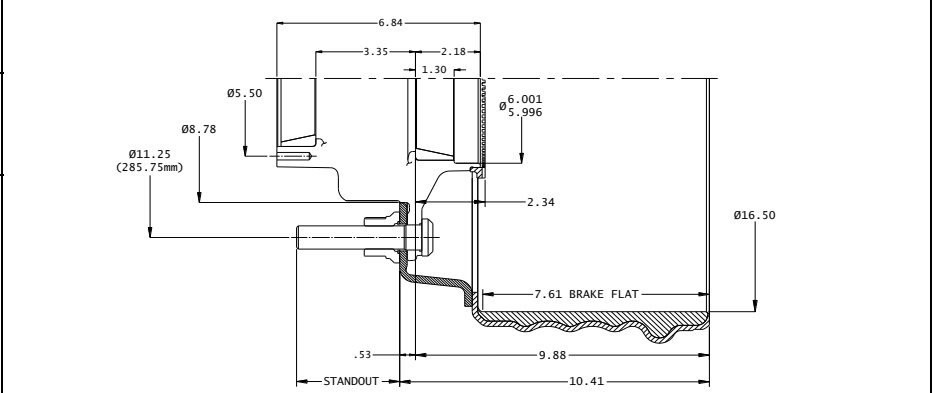
Part Number	Application for Stud Piloted	Standout	Lbs.	Bolts
Contact us at waltheremc.com				

N Bearings				
HM212011	bearing cup - outer bore			
HM218210	bearing cup - inner bore			
HM212049	bearing cone - outer bore			
HM218248	bearing cone - inner bore			

### Dura-Light-Hubs® Evolution™ with 16.5 x 7" Centrifuse® Brake Drum with Fill Plug

Part Number	Application For Hub Piloted	Standout	Lbs.	Bolts
1003114M-041095*	Hub/Fused Drum Assy,HP,AL Whl	3.47"	124	02-00118
1003114M-042095*	Hub/Fused Drum Assy,HP,ST Whl	2.71"	123	02-00110
1003114M-141095*	ABS Hub/Fused Drum Assy,HP,AL Whl	3.47"	125	02-00118
1003114M-142095*	ABS Hub/Fused Drum Assy,HP,ST Whl	2.71"	124	02-00110

Drums				
03-00043	16.5 x 7" Cast Brake Drum		108 lbs	
13-00095	16.5 x 7" Centrifuse® Brake Drum (89996B)		90 lbs	
13-00060	16.5 x 8.62" Balanced Brake Drum	See Page 2	122 lbs	



Component Parts				
WN333T	Two-piece, Flanged Wheel Nut, M22x1.5		.4 lbs	
05-00037	Tone Ring - 100 Teeth, 6.77 Dia. Pitch Circle		.7 lbs	
02-00166	9/16-18 Fill Plug - Magnetic		Torque 16-19 LB-FT	

Hub Dynamic Load Ratings	
Single Wheel Offset	Load/Hub
0	11,250 lbs
0.56"	10,839 lbs
2.00"	10,000 lbs
2.38"	9,689 lbs
2.75"	9,484 lbs
3.50"	9,095 lbs
3.88"	8,910 lbs
6.66"	Prohibited - See 042 Hub

Part Number	Application for Stud Piloted	Standout	Lbs.	Bolts
Contact us at waltheremc.com				

Estimated Lubricant Fill Volumes**	
<b>22 fl-oz</b>	Oil Lubrication Fill Level
<b>101.06 cubic inches</b>	Vol. Between Cup Seats Including Spindle Displacement
<b>28.8 fl-oz</b>	50% Fill Level for Semi-Fluid, Including Spindle Displacement

Centrifuse® is a registered trademark for Motor Wheel® a Hendrickson brand  
\* Includes two flanged wheel nuts

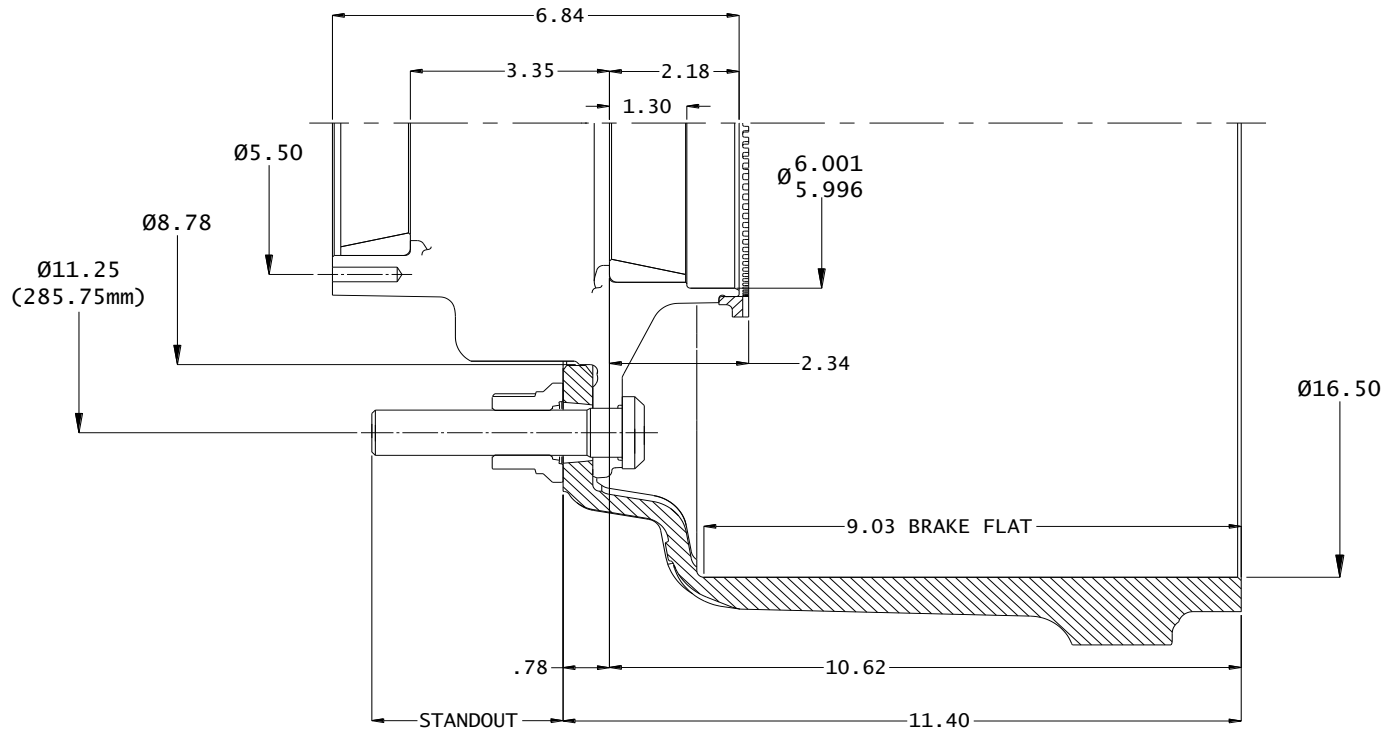
# Walther Engineering and Manufacturing Co., Inc.

## Application Guide for 114 Hub with Fill Port and Magnetic Plug

<b>Dura-Light-Hubs® N Tapered Spindle Axle with 16.5 x 8.62" Balanced Brake Drum with Fill Plug</b>					
Part Number		Application For Hub Piloted	Standout	Lbs.	Bolts
1003114M-021060*		Hub/Bal Drum Assy,HP,AL Whl	3.22"	156	02-00118
1003114M-022060*		Hub/Bal Drum Assy,HP,ST Whl	2.46"	155	02-00110
1003114M-121060*	ABS	Hub/Bal Drum Assy,HP,AI Whl	3.22"	157	02-00118
1003114M-122060*	ABS	Hub/Bal Drum Assy,HP,St Whl	2.46"	156	02-00110

Part Number	Application For Stud Piloted	Standout	Lbs.	Bolts
Contact us at <a href="http://waltheremc.com">waltheremc.com</a>				



\* Includes two flanged wheel nuts