

Walther Engineering and Manufacturing Co., Inc.



Application Guide for 112 SpeedMount Hub®

Dura-Light Hubs® Evolution™ for P Straight-Spindle Axles with Scotseal® X-Treme						Dura-Light Hubs® Evolution™ for P Straight-Spindle Axles with Stemco Discover® XR					
Part Number*	Application	Standout	Lbs.	Bolts		Part Number#	Application	Standout	Lbs.	Bolts	
100-00112-101	ABS Hub Piloted/Aluminum Dual Wheel	3.72"	46	02-00118		101-20112-101	ABS Hub Piloted/Aluminum Dual Wheel	3.72"	46	02-00118	
100-00112-102	ABS Hub Piloted/Steel Dual Wheel	2.96"	45	02-00110		101-20112-102	ABS Hub Piloted/Steel Dual Wheel	2.96"	45	02-00110	

Dura-Light Hubs® Evolution™ for P Straight-Spindle Axles with Scotseal® X-Treme and Fill Plug						Dura-Light Hubs® Evolution™ for P Straight-Spindle Axles with Stemco Discover® XR and Fill Plug					
Part Number*	Application	Standout	Lbs.	Bolts		Part Number#	Application	Standout	Lbs.	Bolts	
100-00112M-101	ABS Hub Piloted/Aluminum Dual Wheel	3.72"	46	02-00118		101-20112M-101	ABS Hub Piloted/Aluminum Dual Wheel	3.72"	46	02-00118	
100-00112M-102	ABS Hub Piloted/Steel Dual Wheel	2.96"	45	02-00110		101-20112M-102	ABS Hub Piloted/Steel Dual Wheel	2.96"	45	02-00110	

P Bearings

- HM518410 bearing cup - outer bore
- HM518410 bearing cup - inner bore
- HM518445 bearing cone - outer bore
- HM518445 bearing cone - inner bore

* Part Numbers listed are assembled with General Bearing cups and cones.

Part Numbers listed are assembled with Stemco cups and cones.

Component Parts

05-00037	Tone Ring - 100 Teeth, 6.77 Dia. Pitch Circle	.7 lbs
42627XT	Scotseal® X-Treme	
373-0423	Stemco Discover® XR	
90-00249	Bearing Retainer	
1305010	5/16-18 x .62, Hex Bolt	
02-00166	9/16-18 Fill Plug - Magnetic	Torque 16-19 LB-FT

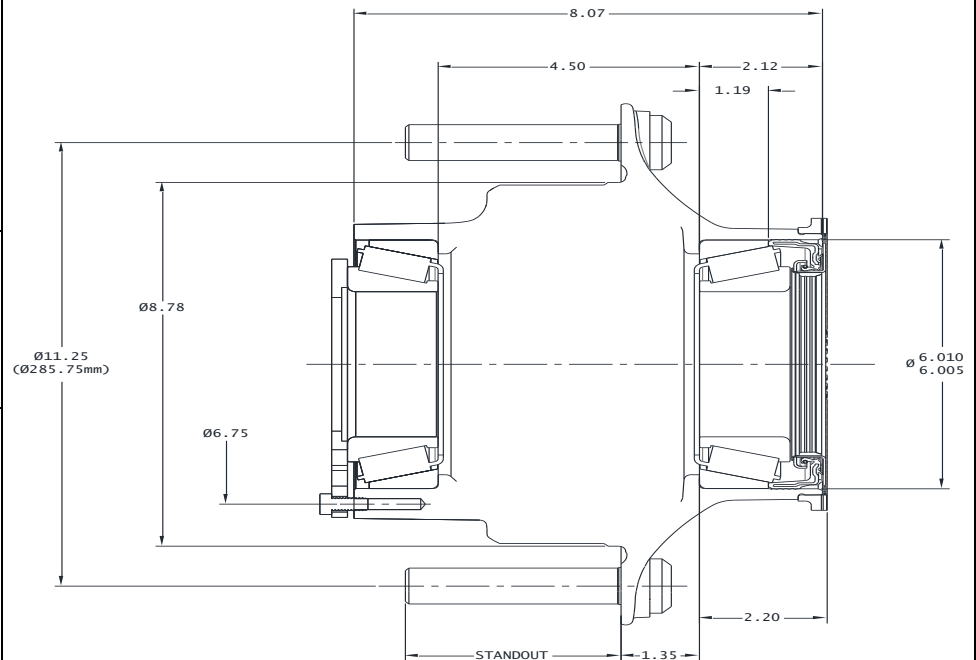
Hub Dynamic Load Ratings

Single Wheel Offset	Load/Hub
0	12,500 lbs
0.56"	12,043 lbs
2.00"	11,000 lbs
2.38"	10,765 lbs
2.75"	10,538 lbs
3.50"	10,105 lbs
3.88"	9,899 lbs
6.66"	Prohibited

Estimated Lubricant Fill Volumes**

- 33.50 fl-oz** Oil Lubrication Fill Level
- 139.20 cubic inches** Vol. Between Cup Seats Including Spindle Displacement
- 41.6 fl-oz** 50% Fill Level for Semi-Fluid, Including Spindle Displacement

Dimensions for all part number configurations



** Actual lubricant volume should be adjusted for specific components used. See TMC RP 631C

Scotseal® X-Treme is a registered trademark for SKF, Discover® XR is a registered trademark for Stemco