

Walther Engineering and Manufacturing Co., Inc.

Application Guide for 106 Hub with Fill Port and Non-Magnetic Plug

Easy-Roll Hubs™ for N Tapered-Spindle Axles with Fill Plug					Easy-Roll Hubs™ for N Tapered-Spindle Axles with 16.5 x 7" Cast Drum with Fill Plug				
Part Number	Application For Hub Piloted	Standout Lbs.	Bolts		Part Number	Application For Hub Piloted	Standout Lbs.	Bolts	
10-00106F-001	Hub Piloted/Aluminum Dual Wheel	3.96"	44	02-00045	1003106F-031043*	Hub/Cast Drum Assy,HP,AL Whl	3.54"	153	02-00045
10-00106F-002	Hub Piloted/Steel Dual Wheel	3.03"	42	02-00044	1003106F-032043*	Hub/Cast Drum Assy,HP,ST Whl	2.61"	151	02-00044
10-00106F-101	ABS Hub Piloted/Aluminum Dual Wheel	3.96"	45	02-00045	1003106F-131043*	ABS Hub/Cast Drum Assy,HP,AL Whl	3.54"	154	02-00045
10-00106F-102	ABS Hub Piloted/Steel Dual Wheel	3.03"	43	02-00044	1003106F-132043*	ABS Hub/Cast Drum Assy,HP,ST Whl	2.61"	152	02-00044
					1004106F-131043#	ABS Hub/Cast Drum Assy,HP,AL Whl	3.54"	154	02-00045
					1004106F-132043#	ABS Hub/Cast Drum Assy,HP,ST Whl	2.61"	152	02-00044
Part Number	Application For Stud Piloted	Standout Lbs.	Bolts		Part Number	Application For Stud Piloted	Standout Lbs.	Bolts	
Contact us at waltheremc.com					Contact us at waltheremc.com				
N Bearings					Easy-Roll Hubs™ for N Tapered-Spindle Axles with 16.5 x 7" Centrifuse® with Fill Plug				
HM212011	bearing cup - outer bore				Part Number	Application For Hub Piloted	Standout Lbs.	Bolts	
HM218210	bearing cup - inner bore				1003106F-041095*	Hub/Fused Drum Assy,HP,AL Whl	3.71"	135	02-00045
HM212049	bearing cone - outer bore				1003106F-042095*	Hub/Fused Drum Assy,HP,ST Whl	2.78"	133	02-00044
HM218248	bearing cone - inner bore				1003106F-141095*	ABS Hub/Fused Drum Assy,HP,AL Whl	3.71"	136	02-00045
Drums					1003106F-142095*	ABS Hub/Fused Drum Assy,HP,ST Whl	2.78"	134	02-00044
03-00043	16.5 x 7" Cast Brake Drum		108 lbs						
13-00095	16.5 x 7" Centrifuse® Brake Drum (89996B)		90 lbs						
13-00060	16.5 X 8.62 Balanced Drum	See Page 2	122 lbs		Part Number	Application For Stud Piloted Centrifuse® Drum	Standout Lbs.	Bolts	
Component Parts					Contact us at waltheremc.com				
WN333T	Two-piece, Flanged Wheel Nut, M22x1.5		.4 lbs						
05-00046	Tone Ring- 100 Teeth, 6.77 Dia Pitch Circle		.9 lbs.						
02-00196	9/16-18 Fill Plug - Non-Magnetic		Torque 16-19 LB-FT						
Hub Dynamic Load Ratings									
Single Wheel Offset	Load/Hub								
0	11,250 lbs								
0.56"	10,839 lbs								
2.00"	10,000 lbs								
2.38"	9,689 lbs								
2.75"	9,484 lbs								
3.50"	9,095 lbs								
3.88"	8,910 lbs								
6.66"	Prohibited- See 042 Hub								
Estimated Lubricant Fill Volumes**									
20.88 fl-oz	Oil Lubrication Fill Level								
94.65 in ³	Vol. Between Cup Seats Including Spindle Displacement								
26.22 fl-oz	50% Fill Level for Semi-Fluid, Including Spindle Displacement								

** Actual lubricant volume should be adjusted for specific components used. See TMC RP 631C

* Includes two flanged wheel nuts # Includes ten flanged wheel nuts

Walther Engineering and Manufacturing Co., Inc.

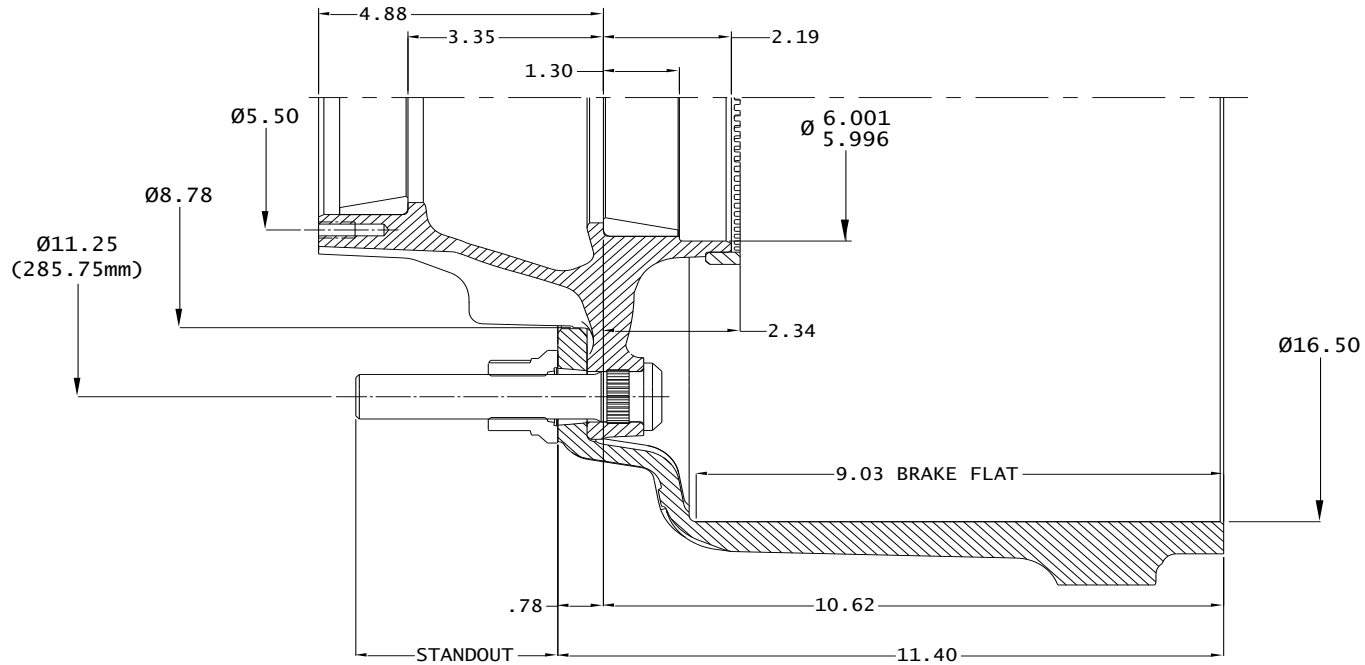
Application Guide for 106 Hub with Fill Port and Non-Magnetic Plug

Easy Roll Hubs™ for N Tapered-Spindle Axles with 16.5 x 8.62" Cast Brake Drum with Non-Magnetic Fill Plug

Part Number	Application For Hub Piloted	Standout	Lbs.	Bolts
1003106F-021060*	Hub/Bal Drum Assy,HP,AL Whl	3.46"	166	02-00045
1003106F-022060*	Hub/Bal Drum Assy,HP,ST Whl	2.53"	164	02-00044
1003106F-121060*	ABS Hub/Bal Drum Assy,HP,Al Whl	3.46"	167	02-00045
1003106F-122060*	ABS Hub/Bal Drum Assy,HP,St Whl	2.53"	165	02-00044

Part Number	Application For Stud Piloted	Standout	Lbs.	Bolts
-------------	------------------------------	----------	------	-------

Contact us at waltheremc.com



* Includes two flanged wheel nuts