

Walther Engineering and Manufacturing Co., Inc.



Application Guide for 106 SpeedMount Hub®

Easy-Roll Hubs™ for N Tapered-Spindle Axles with Scotseal® X-Treme						Easy-Roll Hubs™ for N Tapered-Spindle Axles with Stemco Discover® XR					
Part Number*	Application		Standout	Lbs.	Bolts	Part Number†	Application		Standout	Lbs.	Bolts
100-00106-101	ABS	Hub Piloted/Aluminum Dual Wheel	3.96"	52	02-00045	101-20106-101	ABS	Hub Piloted/Aluminum Dual Wheel	3.96"	52	02-00045
						101-20106-102	ABS	Hub Piloted/Steel Dual Wheel	3.03"	51	02-00044

Easy-Roll Hubs™ for N Tapered-Spindle Axles with Scotseal® X-Treme and Fill Plug						Easy-Roll Hubs™ for N Tapered-Spindle Axles with Stemco Discover® XR and Fill Plug					
Part Number*	Application		Standout	Lbs.	Bolts	Part Number†	Application		Standout	Lbs.	Bolts
100-00106F-101	ABS	Hub Piloted/Aluminum Dual Wheel	3.96"	52	02-00045	Contact us at waltheremc.com					

N Bearings

HM212011	bearing cup - outer bore
HM218210	bearing cup - inner bore
HM212049	bearing cone - outer bore
HM218248	bearing cone - inner bore

* Part Numbers listed are assembled with General Bearing cups and cones.
 † Part Numbers listed are assembled with Stemco cups and cones.

Component Parts

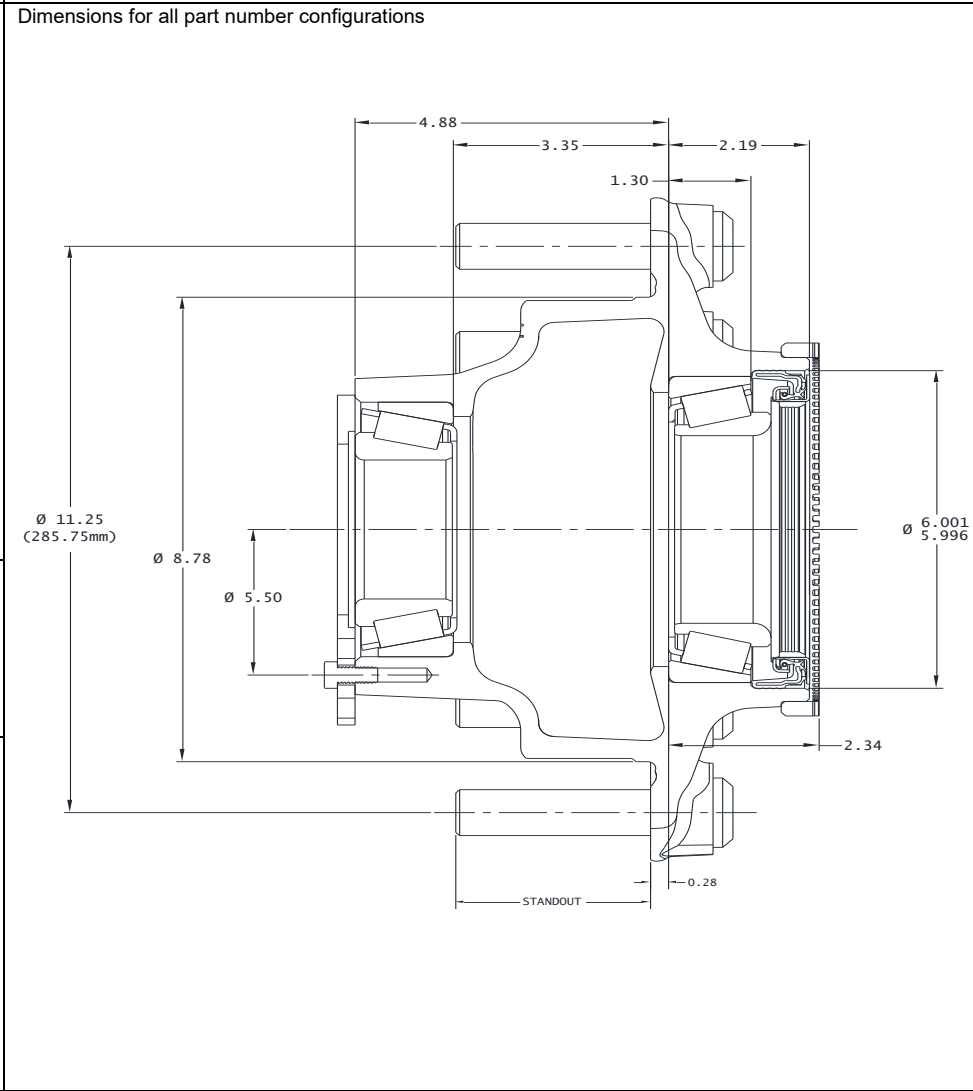
05-00046	Tone Ring - 100 Teeth, 6.77 Dia. Pitch Circle	.9 lbs
46300XT	Scotseal® X-Treme	
373-0443	Stemco Discover® XR	
90-00248	Bearing Retainer	
1305010	5/16-18 x .62, Hex Bolt	
02-00196	9/16-18 Fill Plug - Non-Magnetic	Torque 16-19 LB-FT

Hub Dynamic Load Ratings

Single Wheel Offset	Load/Hub
0	11,250 lbs
0.56"	10,839 lbs
2.00"	10,000 lbs
2.38"	9,689 lbs
2.75"	9,484 lbs
3.50"	9,095 lbs
3.88"	8,910 lbs
6.66"	Prohibited

Estimated Lubricant Fill Volumes**

20.88 fl-oz	Oil Lubrication Fill Level
94.65 in³	Vol. Between Cup Seats Including Spindle Displacement
26.22 fl-oz	50% Fill Level for Semi-Fluid, Including Spindle Displacement



** Actual lubricant volume should be adjusted for specific components used. See TMC RP 631C
 Scotseal® X-Treme is a registered trademark for SKF, Discover® XR is a registered trademark for Stemco
 3501 Shotwell Drive Franklin, Ohio 45005 Phone: 937-743-8125 Fax: 937-743-8232 waltheremc.com Revision: A 11/5/2025