

Walther Engineering and Manufacturing Co., Inc.



Application Guide for 106 QuickSet Hub™

Easy-Roll Hubs™ for N Tapered-Spindle Axles with Scotseal® X-Treme				Easy-Roll Hubs™ for N Tapered-Spindle Axles with Stemco Discover® XR			
Part Number*†	Application	Standout Lbs.	Bolts	Part Number*†	Application	Standout Lbs.	Bolts
				111-20106-101	ABS Hub Piloted/Aluminum Dual Wheel	3.96"	55
				111-20106-102	ABS Hub Piloted/Steel Dual Wheel	3.03"	53

Easy-Roll Hubs™ for N Tapered-Spindle Axles with Scotseal® X-Treme and Fill Plug				Easy-Roll Hubs™ for N Tapered-Spindle Axles with Stemco Discover® XR and Fill Plug			
Part Number* ‡	Application	Standout Lbs.	Bolts	Part Number* ‡	Application	Standout Lbs.	Bolts
<p>‡ Contact us at waltheremc.com</p>							

N Bearings

HM212011	bearing cup - outer bore
HM218210	bearing cup - inner bore
HM212049	bearing cone - outer bore
HM218248	bearing cone - inner bore

* Part Numbers listed are assembled with General Bearing cups and cones.
 † Part Numbers listed are assembled with Stemco cups and cones.

Component Parts

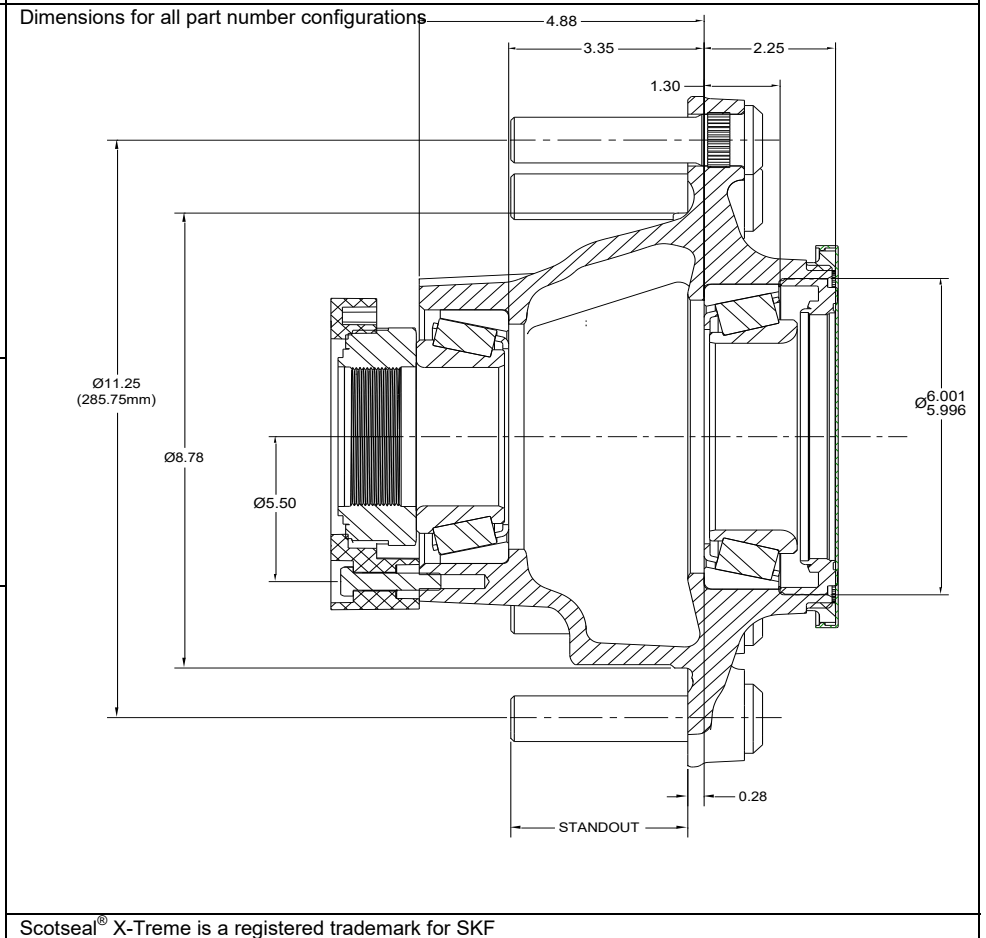
05-00046	Tone Ring - 100 Teeth, 6.77 Dia. Pitch Circle	.9 lbs
46300XT	Scotseal® X-Treme†	
373-0443	Stemco Discover® XR	
480-4743	Stemco Auto-Torq®	
90-00255	Nut Retainer	
02-00254	5/16-18 x .1.5, Hex Bolt	
90-00256	5/16 Push Nut	

Hub Dynamic Load Ratings

Single Wheel Offset	Load/Hub
0	11,250 lbs
0.56"	10,839 lbs
2.00"	10,000 lbs
2.38"	9,689 lbs
2.75"	9,484 lbs
3.50"	9,095 lbs
3.88"	8,910 lbs
6.66"	Prohibited

Estimated Lubricant Fill Volumes**

20.88 fl-oz	Oil Lubrication Fill Level
94.65 in³	Vol. Between Cup Seats Including Spindle Displacement
26.22 fl-oz	50% Fill Level for Semi-Fluid, Including Spindle Displacement



Scotseal® X-Treme is a registered trademark for SKF
 Discover® XR and Auto-Torq® is a registered trademark for Stemco

** Actual lubricant volume should be adjusted for specific components used. See TMC RP 631C