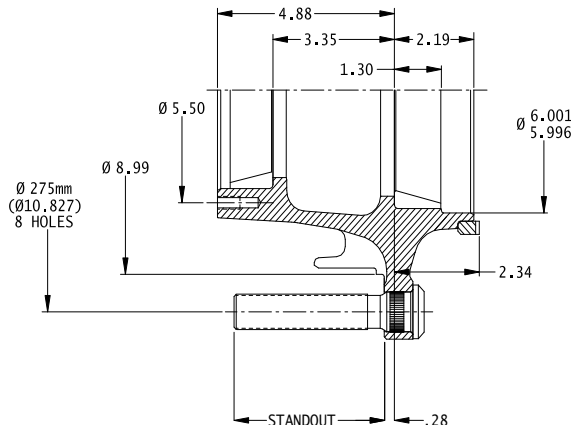
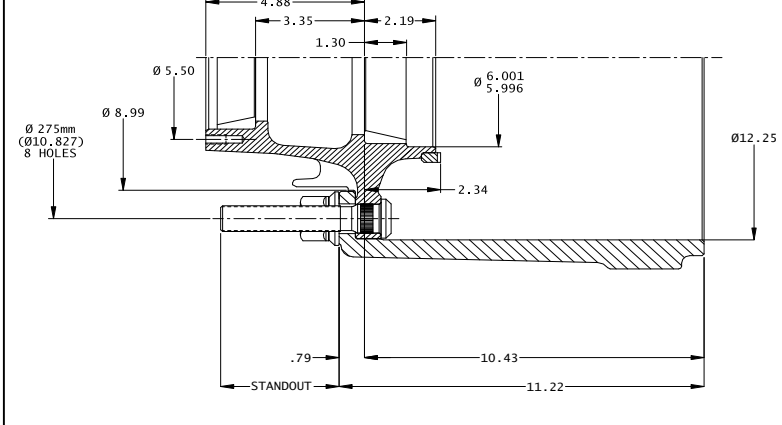


Walther Engineering and Manufacturing Co., Inc.

Application Guide for 048 Hub

Low-Boy Hubs for N Tapered-Spindle Axles				Low-Boy Hubs for N Tapered-Spindle Axles with 12 1/4 x 7.5" Cast Drum					
Part Number	Application	Standout	Lbs.	Bolts	Part Number	Application	Standout	Lbs.	Bolts
10-00048-001	Hub HP, AL Whl	4.14"	40	02-00045	10-00048-031*	Hub/Cast Drum Assy. HP, AL Whl	3.64"	133	02-00045
10-00048-002	Hub HP, ST Whl	3.21"	39	02-00044	10-00048-032*	Hub/Cast Drum Assy. HP, ST Whl	2.71"	132	02-00044
10-00048-101	ABS Hub HP, AL Whl	4.14"	41	02-00045	10-00048-131*	ABS Hub/Cast Drum Assy. HP, AL Whl	3.64"	134	02-00045
10-00048-102	ABS Hub HP, ST Whl	3.21"	40	02-00044	10-00048-132*	ABS Hub/Cast Drum Assy. HP, ST Whl	2.71"	133	02-00044





NOTE: BRAKE SIZE 12.25" X 7.50"

N Bearings			
HM212011	bearing cup - outer bore		
HM218210	bearing cup - inner bore		
HM212049	bearing cone - outer bore		
HM218248	bearing cone - inner bore		

Drums			
03-00050	12 1/4" x 7.5" Cast Brake Drum		93 lbs

Component Parts			
WN333T	Two-piece, Flanged Wheel Nut, M22x1.5		.4 lbs
05-00080	Tone Ring - 80 Teeth, 6.77 Dia. Pitch Circle		1.0 lbs

Hub Dynamic Load Ratings		
Single Wheel Offset	Load/Hub	
0	See Chart at Right	
0.56"	Prohibited	
2.00"	Prohibited	
2.38"	Prohibited	
2.75"	Prohibited	
3.50"	Prohibited	
3.88"	Prohibited	
6.66"	Prohibited	

Tire SLR (in)	Hub Dynamic Load (lb)
≤15.7	23,000
>15.7	20,000

Estimated Lubricant Fill Volumes**	
15 fl-oz	Oil Lubrication Fill Level
61.40 in ³	Vol. Between Cup Seats Including Spindle Displacement
17.01 fl-oz	50% Fill Level for Semi-Fluid, Including Spindle Displacement

** Actual lubricant volume should be adjusted for specific components used. See TMC RP 631B

* Includes two flanged wheel nuts