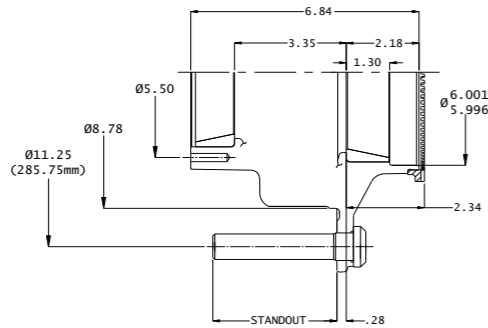


Walther Engineering and Manufacturing Co., Inc.

Dura-Light-Hubs® Evolution™ For N Tapered Spindle Axle with Fill Plug

Part Number	Application	Standout	Lbs.	Bolts
10-00114M-001	Hub Piloted/Aluminum Dual Wheel	3.72"	32	02-00118
10-00114M-002	Hub Piloted/Steel Dual Wheel	2.96"	31	02-00110
10-00114M-003	Stud Piloted RH/Cast Brake Drum	1.89"	29	02-00027
10-00114M-004	Stud Piloted LH/Cast Brake Drum	1.89"	29	20-00028
10-00114M-005	Stud Piloted RH/Fused Drum	1.63"	29	02-00031
10-00114M-006	Stud Piloted LH/Fused Drum	1.63"	29	20-00032
10-00114M-101	ABS Hub Piloted/Aluminum Dual Wheel	3.72"	33	02-00118
10-00114M-102	ABS Hub Piloted/Steel Dual Wheel	2.96"	32	02-00110
10-00114M-103	ABS Stud Piloted RH/Cast Brake Drum	1.89"	30	02-00027
10-00114M-104	ABS Stud Piloted LH/Cast Brake Drum	1.89"	30	20-00028
10-00114M-105	ABS Stud Piloted RH/Fused Drum	1.63"	30	02-00031
10-00114M-106	ABS Stud Piloted LH/Fused Drum	1.63"	30	20-00032



N Bearings

HM212011	bearing cup - outer bore
HM218210	bearing cup - inner bore
HM212049	bearing cone - outer bore
HM218248	bearing cone - inner bore

Drums

03-00043	16.5 x 7" Cast Brake Drum	108 lbs
89996B	16.5 x 7" Centrifuse® Brake Drum	90 lbs
13-00060	16.5 x 8.62" Balanced Brake Drum	122 lbs

Component Parts

02-39702	Metform - Two-piece, Flanged Wheel Nut, M22x1.5	.4 lbs
05-00037	Tone Ring - 100 Teeth, 6.77 Dia. Pitch Circle	.7 lbs
02-00166	9/16-18 Fill Plug - Magnetic	Torque 16-19 LB-FT

Hub Dynamic Load Ratings

Single Wheel Offset	Load/Hub
0	11,250 lbs
0.56"	10,839 lbs
2.00"	10,000 lbs
2.38"	9,689 lbs
2.75"	9,484 lbs
3.50"	9,095 lbs
3.88"	8,910 lbs
6.66"	Prohibited

Estimated Lubricant Fill Volumes**

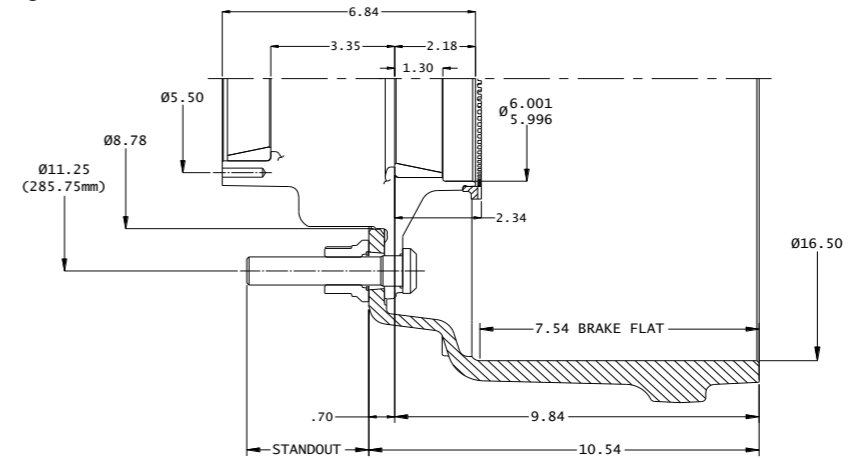
22 fl-oz	Oil Lubrication Fill Level
101.06 cubic inches	Vol. Between Cup Seats Including Spindle Displacement
28.8 fl-oz	50% Fill Level for Semi-Fluid, Including Spindle Displacement

** Actual lubricant volume should be adjusted for specific components used. See TMC RP 631B

Dura-Light Hubs® Evolution™ for N Straight-Spindle Axles 16.5 x 7" Cast Brake Drum with Fill Plug

Part Number	Application	Standout	Lbs.	Bolts
1003114M-031043*	Hub/Cast Drum Assy, HP, AL Whl	3.30"	143	02-00118
1003114M-032043*	Hub/Cast Drum Assy, HP, ST Whl	2.54"	142	02-00110
1006114M-033043	Hub/Cast Drum Assy, SP, RH	1.47"	139	02-00027
1007114M-034043	Hub/Cast Drum Assy, SP, LH	1.47"	139	20-00028
1003114M-131043*	ABS Hub/Cast Drum Assy, HP, AL Whl	3.30"	144	02-00118
1003114M-132043*	ABS Hub/Cast Drum Assy, HP, St Whl	2.54"	143	02-00110
1006114M-133043	ABS Hub/Cast Drum Assy, SP, RH	1.47"	140	02-00027
1007114M-134043	ABS Hub/Cast Drum Assy, SP, LH	1.47"	140	20-00028

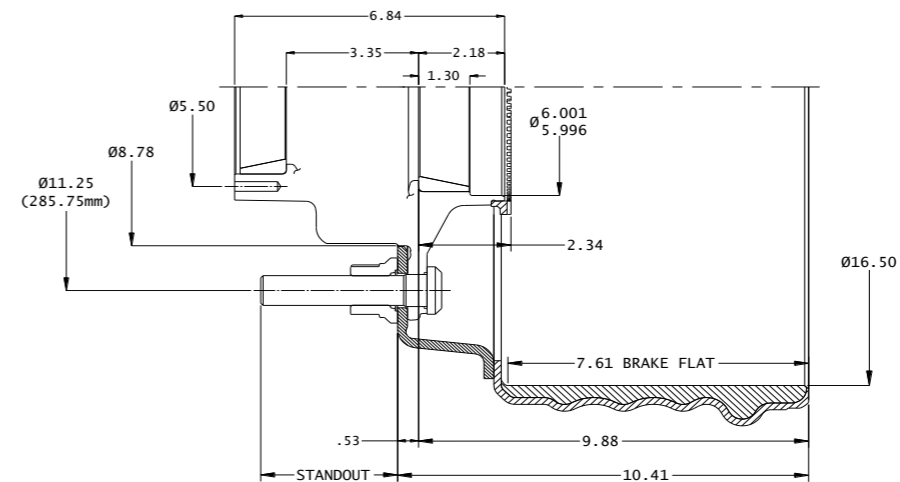
* Includes two flanged wheel nuts



Dura-Light Hubs® N Tapered Spindle Axle with 16.5 x 7" Centrifuse® Brake Drum with Fill Plug

Part Number	Application	Standout	Lbs.	Bolts
1003114M-041095*	Hub/Fused Drum Assy, HP, AL Whl	3.47"	124	02-00118
1003114M-042095*	Hub/Fused Drum Assy, HP, ST Whl	2.71"	123	02-00110
1006114M-045095	Hub/Fused Drum Assy, SP, RH	1.33"	120	02-00031
1007114M-046095	Hub/Fused Drum Assy, SP, LH	1.33"	120	20-00032
1003114M-141095*	ABS Hub/Fused Drum Assy, HP, AL Whl	3.47"	125	02-00118
1003114M-142095*	ABS Hub/Fused Drum Assy, HP, ST Whl	2.71"	124	02-00110
1006114M-145095	ABS Hub/Fused Drum Assy, SP, RH	1.33"	121	02-00031
1007114M-146095	ABS Hub/Fused Drum Assy, SP, LH	1.33"	121	20-00032

* Includes two flanged wheel nuts



Walther Engineering and Manufacturing Co., Inc.

Dura-Light-Hubs® N Tapered Spindle Axle with 16.5 x 8.62" Balanced Brake Drum with Fill Plug

Part Number	Application	Standout	Lbs.	Bolts
1003114M-021060*	Hub/Bal Drum Assy,HP,AL Whl	3.22"	156	02-00118
1003114M-022060*	Hub/Bal Drum Assy,HP,ST Whl	2.46"	155	02-00110
1006114M-023060	Hub/Bal Drum Assy,SP,RH	1.34"	152	02-00027
1007114M-024060	Hub/Bal Drum Assy, SP,LH	1.34"	152	20-00028
1003114M-121060* ABS	Hub/Bal Drum Assy,HP,AI Whl	3.22"	156	02-00118
1003114M-122060* ABS	Hub/Bal Drum Assy,HP,St Whl	2.46"	155	02-00110
1006114M-123060 ABS	Hub/Bal Drum Assy,SP,RH	1.34"	152	02-00027
1007114M-124060 ABS	Hub/Bal Drum Assy,SP,LH	1.34"	152	20-00028

* Includes two flanged wheel nuts

