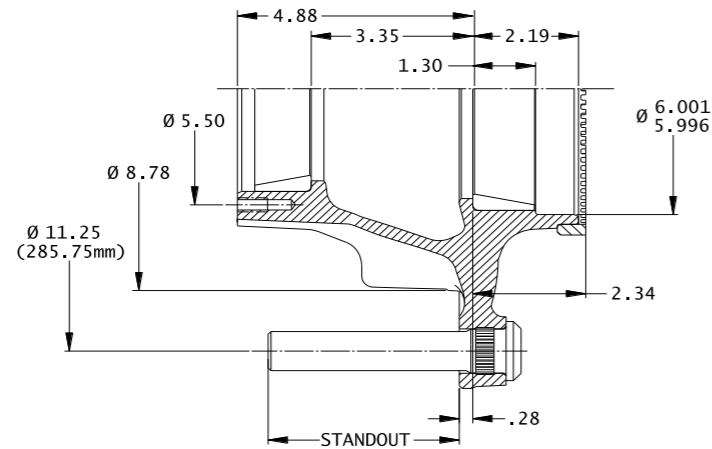


Walther Engineering and Manufacturing Co., Inc.

Part Number	Application	Standout Lbs.	Bolts
Easy-Roll™ Hubs for N Tapered-Spindle Axles with Fill Plug			
10-00106M-001	Hub Piloted/Aluminum Dual Wheel	3.96"	44 02-00045
10-00106M-002	Hub Piloted/Steel Dual Wheel	3.03"	42 02-00044
10-00106M-003	Stud Piloted RH/Cast Brake Drum	1.88"	39 02-00057
10-00106M-004	Stud Piloted LH/Cast Brake Drum	1.88"	39 20-00058
10-00106M-005	Stud Piloted RH/Fused Brake Drum	1.63"	39 02-00061
10-00106M-006	Stud Piloted LH/Fused Brake Drum	1.63"	39 20-00062
10-00106M-101	ABS Hub Piloted/Aluminum Dual Wheel	3.96"	45 02-00045
10-00106M-102	ABS Hub Piloted/Steel Dual Wheel	3.03"	42 02-00044
10-00106M-103	ABS Stud Piloted RH/Cast Brake Drum	1.88"	40 02-00057
10-00106M-104	ABS Stud Piloted LH/Cast Brake Drum	1.88"	40 20-00058
10-00106M-105	ABS Stud Piloted RH/Fused Brake Drum	1.63"	40 02-00061
10-00106M-106	ABS Stud Piloted LH/Fused Brake Drum	1.63"	40 20-00062



N Bearings	
HM212011	bearing cup - outer bore
HM218210	bearing cup - inner bore
HM212049	bearing cone - outer bore
HM218248	bearing cone - inner bore

Drums	
03-00043	16.5 x 7" Cast Brake Drum 108 lbs
89996B	16.5 x 7" Centrifuse® Brake Drum 90 lbs

Component Parts	
02-39702	Metform - Two-piece, Flanged Wheel Nut, M22x1.5 .4 lbs
05-00046	Tone Ring- 100 Teeth, 6.77 Dia Pitch Circle .9 lbs.
02-00166	9/16-18 Fill Plug - Magnetic Torque 16-19 LB-FT

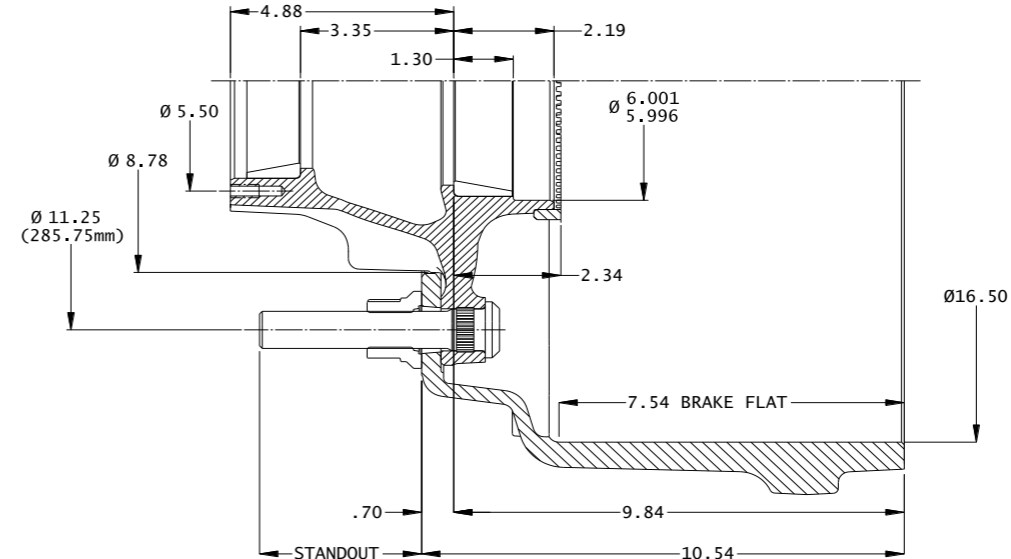
Hub Dynamic Load Ratings	
Single Wheel Offset	Load/Hub
0	11,250 lbs
0.56"	10,839 lbs
2.00"	10,000 lbs
2.38"	9,689 lbs
2.75"	9,484 lbs
3.50"	9,095 lbs
3.88"	8,910 lbs
6.66"	Prohibited

Estimated Lubricant Fill Volumes**	
20.88 fl-oz	Oil Lubrication Fill Level
94.65 in³	Vol. Between Cup Seats Including Spindle Displacement
26.22 fl-oz	50% Fill Level for Semi-Fluid, Including Spindle Displacement

** Actual lubricant volume should be adjusted for specific components used. See TMC RP 631B

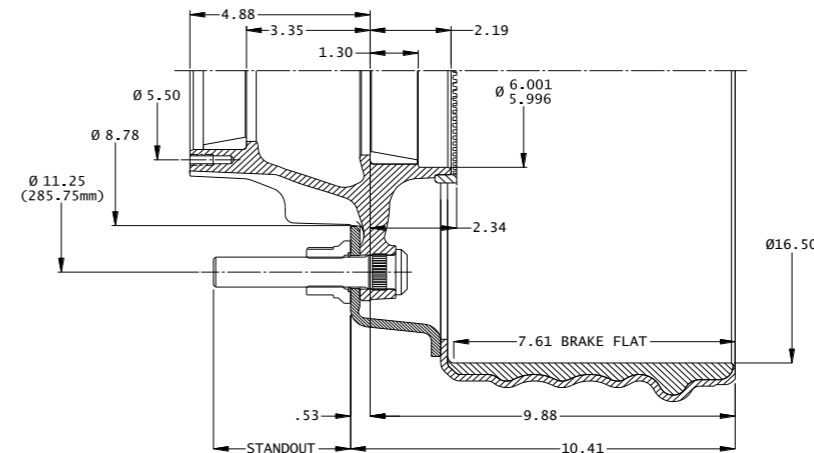
Part Number	Application	Standout Lbs.	Bolts
Easy-Roll™ Hubs for N Tapered-Spindle Axles with 16.5 x 7" Cast Drum with Fill Plug			
1003106M-031043*	Hub/Cast Drum Assy, HP, AL Whl	3.54"	153 02-00045
1003106M-032043*	Hub/Cast Drum Assy, HP, ST Whl	2.61"	151 02-00044
1006106M-033043	Hub/Cast Drum Assy, SP, RH	1.46"	148 02-00057
1007106M-034043	Hub/Cast Drum Assy, SP, LH	1.46"	148 20-00058
1003106M-131043*	ABS Hub/Cast Drum Assy, HP, AL Whl	3.54"	154 02-00045
1003106M-132043*	ABS Hub/Cast Drum Assy, HP, ST Whl	2.61"	152 02-00044
1006106M-133043	ABS Hub/Cast Drum Assy, SP, RH	1.46"	149 02-00057
1007106M-134043	ABS Hub/Cast Drum Assy, SP, LH	1.46"	149 20-00058

* Includes two flanged wheel nuts



Part Number	Application	Standout Lbs.	Bolts
Easy-Roll™ Hubs for N Tapered-Spindle Axles with 16.5 x 7" Centrifuse® with Fill Plug			
1003106M-041095*	Hub/Fused Drum Assy, HP, AL Whl	3.71"	135 02-00045
1003106M-042095*	Hub/Fused Drum Assy, HP, ST Whl	2.78"	133 02-00044
1006106M-045095	Hub/Fused Drum Assy, SP, RH	1.38"	129 02-00061
1007106M-046095	Hub/Fused Drum Assy, SP, LH	1.38"	129 20-00062
1003106M-141095*	ABS Hub/Fused Drum Assy, HP, AL Whl	3.71"	136 02-00045
1003106M-142095*	ABS Hub/Fused Drum Assy, HP, ST Whl	2.78"	134 02-00044
1006106M-145095	ABS Hub/Fused Drum Assy, SP, RH	1.38"	130 02-00061
1007106M-146095	ABS Hub/Fused Drum Assy, SP, LH	1.38"	130 20-00062

* Includes two flanged wheel nuts



Walther Engineering and Manufacturing Co., Inc.

Part Number	Application	Standout	Lbs.	Bolts
Easy Roll™ Hubs for N Tapered-Spindle Axles with 16.5 x 8.62" Cast Brake Drum with Fill Plug				
1003106M-021060*	Hub/Bal Drum Assy,HP,AL Whl	3.46"	166	02-00045
1003106M-022060*	Hub/Bal Drum Assy,HP,ST Whl	2.53"	164	02-00044
1006106M-023060	Hub/Bal Drum Assy,SP,RH	1.38"	161	02-00057
1007106M-024060	Hub/Bal Drum Assy,SP,LH	1.38"	161	20-00058
1003106M-121060* ABS	Hub/Bal Drum Assy,HP,Al Whl	3.46"	167	02-00045
1003106M-122060* ABS	Hub/Bal Drum Assy,HP,St Whl	2.53"	164	02-00044
1006106M-123060 ABS	Hub/Bal Drum Assy,SP,RH	1.38"	162	02-00057
1007106M-124060 ABS	Hub/Bal Drum Assy,SP,LH	1.38"	162	20-00058

* Includes two flanged wheel nuts

