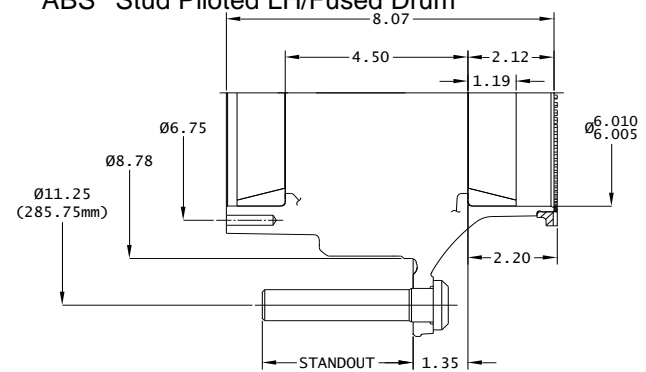


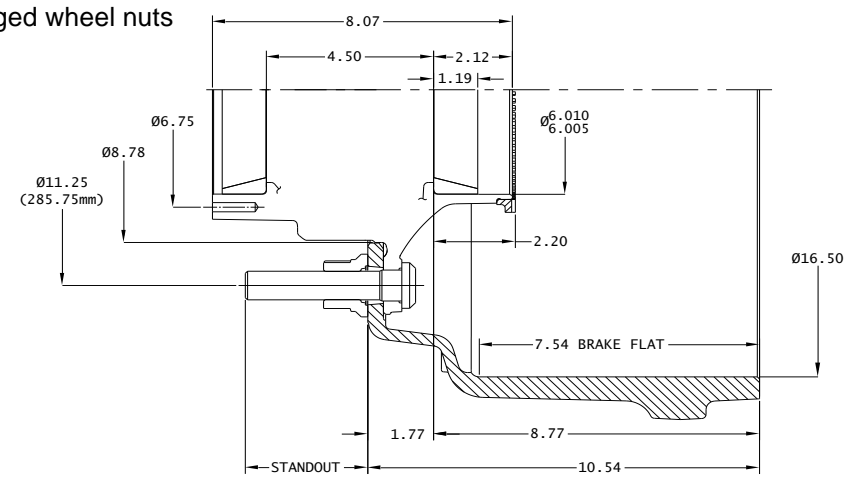
## Walther Engineering and Manufacturing Co., Inc.

Part Number	Application	Standout	Lbs.	Bolts
<b>Dura-Light Hubs® Evolution™ for P Straight-Spindle Axles</b>				
10-00112-001	Hub Piloted/Aluminum Dual Wheel	3.72"	34	02-00118
10-00112-002	Hub Piloted/Steel Dual Wheel	2.96"	33	02-00110
10-00112-003	Stud Piloted RH/Cast Brake Drum	1.89"	31	02-00027
10-00112-004	Stud Piloted LH/Cast Brake Drum	1.89"	31	20-00028
10-00112-005	Stud Piloted RH/Fused Drum	1.63"	31	02-00031
10-00112-006	Stud Piloted LH/Fused Drum	1.63"	31	20-00032
10-00112-101	ABS Hub Piloted/Aluminum Dual Wheel	3.72"	35	02-00118
10-00112-102	ABS Hub Piloted/Steel Dual Wheel	2.96"	34	02-00110
10-00112-103	ABS Stud Piloted RH/Cast Brake Drum	1.89"	32	02-00027
10-00112-104	ABS Stud Piloted LH/Cast Brake Drum	1.89"	32	20-00028
10-00112-105	ABS Stud Piloted RH/Fused Drum	1.63"	32	02-00031
10-00112-106	ABS Stud Piloted LH/Fused Drum	1.63"	32	20-00032



Part Number	Application	Standout	Lbs.	Bolts
<b>Dura-Light Hubs® Evolution™ for P Straight-Spindle Axles with 16.5 x 7" Cast Brake Drum</b>				
1003112-031043*	Hub/Cast Drum Assy,HP,AL Whl	3.30"	145	02-00118
1003112-032043*	Hub/Cast Drum Assy,HP,ST Whl	2.54"	143	02-00110
1006112-033043	Hub/Cast Drum Assy,SP,RH	1.47"	141	02-00027
1007112-034043	Hub/Cast Drum Assy, SP,LH	1.47"	141	20-00028
1003112-131043*	ABS Hub/Cast Drum Assy,HP,Al Whl	3.30"	145	02-00118
1003112-132043*	ABS Hub/Cast Drum Assy,HP,St Whl	2.54"	144	02-00110
1006112-133043	ABS Hub/Cast Drum Assy,SP,RH	1.47"	141	02-00027
1007112-134043	ABS Hub/Cast Drum Assy,SP,LH	1.47"	141	20-00028

\* Includes two flanged wheel nuts



<b>P Bearings</b>			
HM518410	bearing cup - outer bore		
HM518410	bearing cup - inner bore		
HM518445	bearing cone - outer bore		
HM518445	bearing cone - inner bore		

<b>Drums</b>			
03-00043	16.5 x 7" Cast Brake Drum	108 lbs	
89996B	16.5 x 7" Centrifuse® Brake Drum	90 lbs	
13-00060	16.5 x 8.62" Bal. Cast Brake Drum	122 lbs	

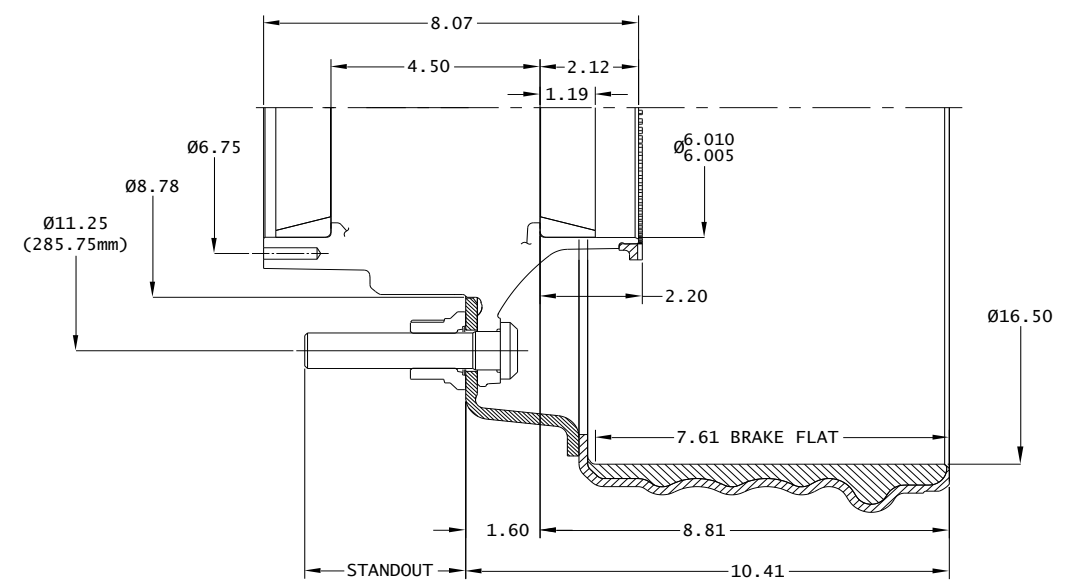
<b>Component Parts</b>			
02-39702	Metform - Two-piece, Flanged Wheel Nut,M22x1.5		.4 lbs
SAE J1926	9/16-18 Fill Plug - Magnetic		-
05-00037	Tone Ring - 100 Teeth, 6.77 Dia. Pitch Circle		.7 lbs

<b>Hub Dynamic Load Ratings</b>	
Single Wheel Offset	Load/Hub
0	12,500 lbs
0.56"	12,043 lbs
2.00"	11,000 lbs
2.38"	10,765 lbs
2.75"	10,538 lbs
3.50"	10,105 lbs
3.88"	9,899 lbs
6.66"	Prohibited

**Estimated Lubricant Fill Volumes\*\***  
**33.50 fl-oz** Oil Lubrication Fill Level  
**139.20 cubic inches** Vol. Between Cup Seats Including Spindle Displacement  
**38.55 fl-oz** 50% Fill Level for Semi-Fluid, Including Spindle Displacement  
 \*\* Actual lubricant volume should be adjusted for specific components used. See TMC RP 631B

<b>Dura-Light Hubs® Evolution™ for P Straight-Spindle Axles with 16.5 x 7" Centrifuse®</b>				
1003112-041095*	Hub/Fused Drum Assy,HP,AL Whl	3.47"	126	02-00118
1003112-042095*	Hub/Fused Drum Assy,HP,ST Whl	2.71"	125	02-00110
1006112-045095	Hub/Fused Drum Assy,SP,RH	1.39"	122	02-00031
1007112-046095	Hub/Fused Drum Assy,SP,LH	1.39"	122	20-00032
1003112-141095*	ABS Hub/Fused Drum Assy,HP,AL Whl	3.47"	127	02-00118
1003112-142095*	ABS Hub/Fused Drum Assy,HP,ST Whl	2.71"	126	02-00110
1006112-145095	ABS Hub/Fused Drum Assy,SP,RH	1.39"	123	02-00031
1007112-146095	ABS Hub/Fused Drum Assy,SP,LH	1.39"	123	20-00032

\* Includes two flanged wheel nuts



## Walther Engineering and Manufacturing Co., Inc.

Part Number	Application	Standout	Lbs.	Bolts
<b>Dura-Light Hubs® Evolution™ for P Straight-Spindle Axles with 16.5 x 8.62" Cast Brake Drum</b>				
1003112-021060*	Hub/Bal Drum Assy,HP,AL Whl	3.22"	157	02-00118
1003112-022060*	Hub/Bal Drum Assy,HP,ST Whl	2.46"	157	02-00110
1006112-023060	Hub/Bal Drum Assy,SP,RH	1.34"	153	02-00027
1007112-024060	Hub/Bal Drum Assy, SP,LH	1.34"	153	20-00028
1003112-121060*    ABS	Hub/Bal Drum Assy,HP,Al Whl	3.22"	158	02-00118
1003112-122060*    ABS	Hub/Bal Drum Assy,HP,St Whl	2.46"	158	02-00110
1006112-123060    ABS	Hub/Bal Drum Assy,SP,RH	1.34"	154	02-00027
1007112-124060    ABS	Hub/Bal Drum Assy,SP,LH	1.34"	154	20-00028

\* Includes two flanged wheel nuts

