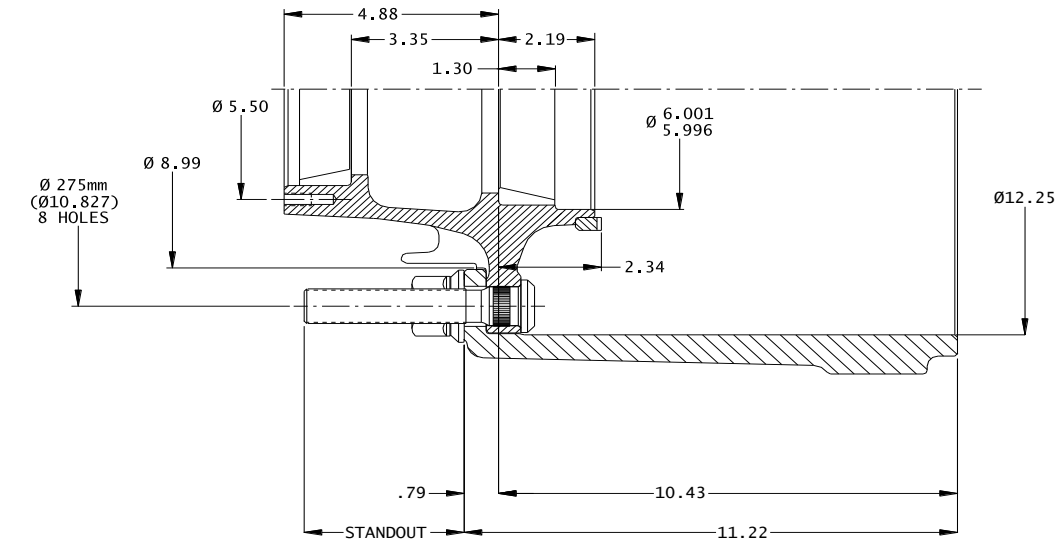
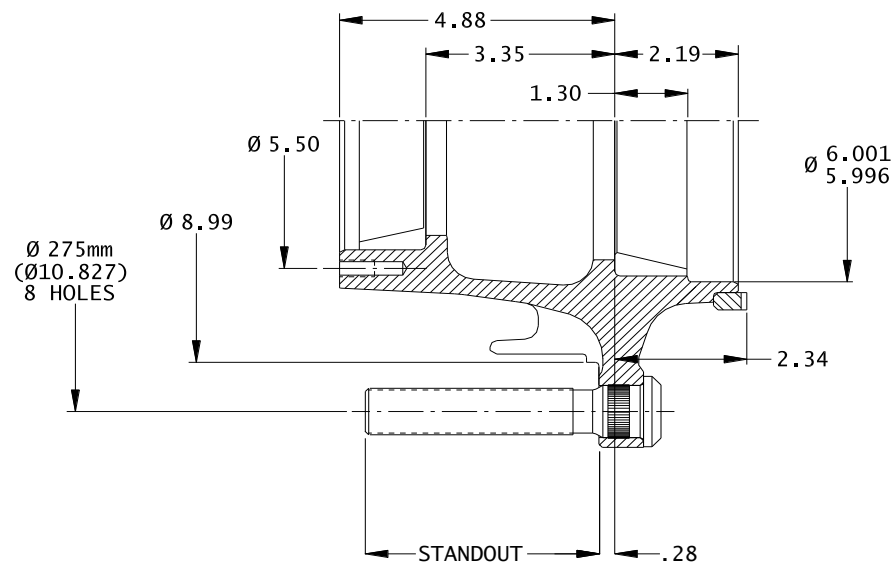


## Walther Engineering and Manufacturing Co., Inc.

Part Number	Application	Standout	Lbs.	Bolts	Part Number	Application	Standout	Lbs.	Bolts
<b>Low-Boy Hubs for N Tapered-Spindle Axles</b>					<b>Low-Boy Hubs for N Tapered-Spindle Axles with 12 1/4 x 7.5" Cast Drum</b>				
10-00048-001	Hub HP, AL Whl	4.14"	40	02-00045	10-00048-031*	Hub/Cast Drum Assy. HP, AL Whl	3.64"	133	02-00045
10-00048-002	Hub HP, ST Whl	3.21"	39	02-00044	10-00048-032*	Hub/Cast Drum Assy. HP, ST Whl	2.71"	132	02-00044
10-00048-101	ABS Hub HP, AL Whl	4.14"	41	02-00045	10-00048-131*	ABS Hub/Cast Drum Assy. HP, AL Whl	3.64"	134	02-00045
10-00048-102	ABS Hub HP, ST Whl	3.21"	40	02-00044	10-00048-132*	ABS Hub/Cast Drum Assy. HP, ST Whl	2.71"	133	02-00044

\* Includes two flanged wheel nuts



NOTE: BRAKE SIZE 12.25" X 7.50"

### Hub Dynamic Load Ratings

Single Wheel Offset	Load/Hub
0	10,000 lbs
0.56"	Prohibited
2.00"	Prohibited
2.38"	Prohibited
2.75"	Prohibited
3.50"	Prohibited
3.88"	Prohibited
6.66"	Prohibited

### Component Parts

03-00050	12 1/4" x 7.5" Cast Brake Drum	93 lbs
02-39702	Metform - Two-piece, Flanged Wheel Nut, M22x1.5	.4 lbs
05-00080	Tone Ring - 80 Teeth, 6.77 Dia. Pitch Circle	

### N Bearings

HM212011	bearing cup - outer bore
HM218210	bearing cup - inner bore
HM212049	bearing cone - outer bore
HM218248	bearing cone - inner bore

### Estimated Lubricant Fill Volumes\*\*

<b>15 fl-oz</b>	Oil Lubrication Fill Level
<b>61.40 in<sup>3</sup></b>	Vol. Between Cup Seats Including Spindle Displacement
<b>17.01 fl-oz</b>	50% Fill Level for Semi-Fluid, Including Spindle Displacement

\*\* Actual lubricant volume should be adjusted for specific components used. See TMC RP 631B