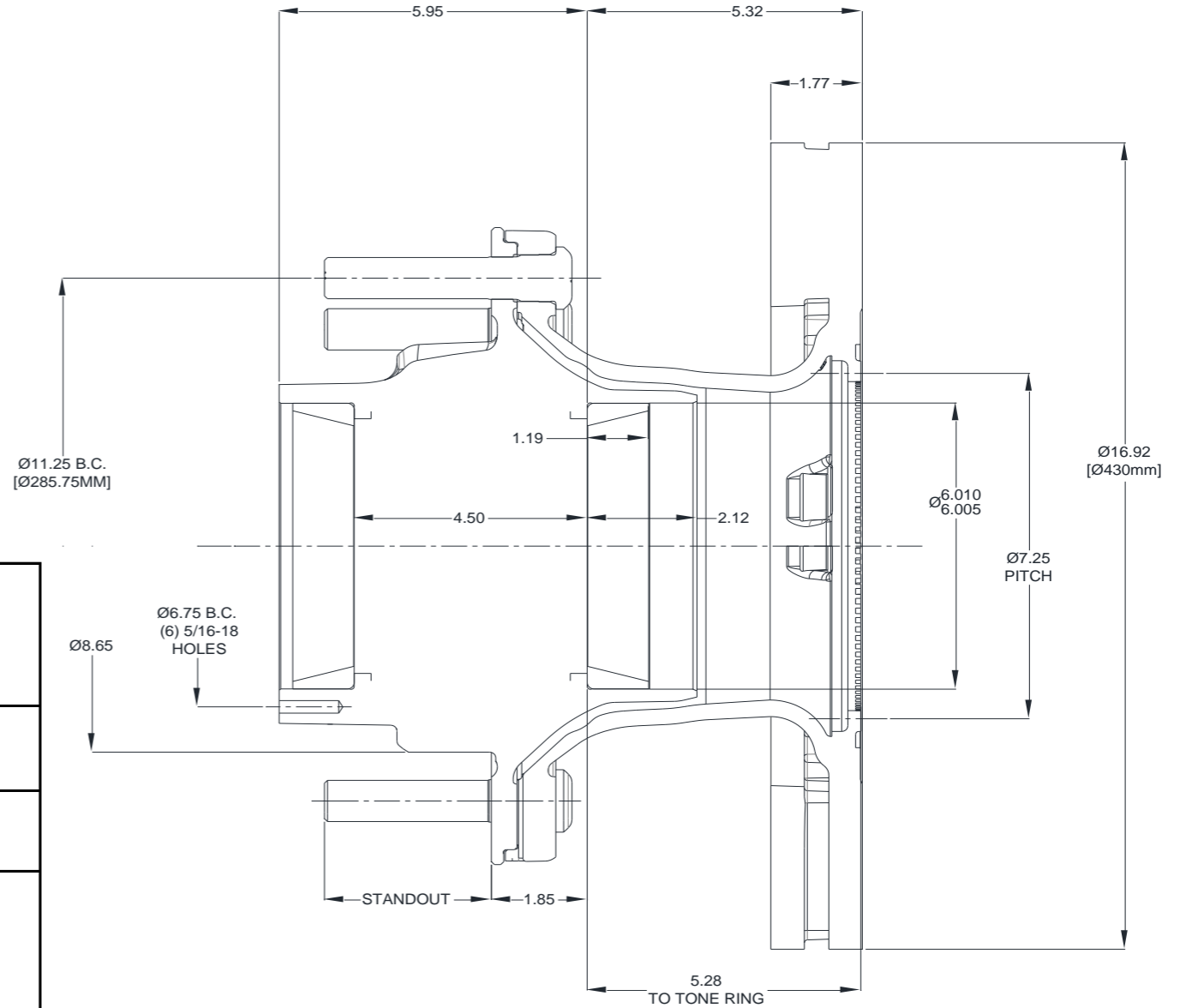


Walther Engineering and Manufacturing Co., Inc.

Dura-Light® Evolution™ Hub and Rotor Assemblies for P Straight-Spindle Axles with 430mm Rotor with Fill Plug

Part Number	Application	Standout	Lbs.	Bolts	Qty/Size
1000187M-171191*	ABS Aluminum Dual Wheel	3.22"	121	02-00175	(10) M22 x 1.5
1000187M-172191*	ABS Steel Dual Wheel	2.46"	120	02-00195	(10) M22 x 1.5



P Bearings

HM518410	Bearing cup - outer bore
HM518410	Bearing cup - inner bore
HM518445	Bearing cone - outer bore
HM518445	Bearing cone - inner bore

Rotor

17-00191	Rotor Assembly (430mm)	82 LBS
----------	------------------------	--------

Component Part

02-00166	9/16-18 Fill Plug - Magnetic	16-19 LB-FT
----------	------------------------------	-------------

Hub Dynamic Load Ratings

Wheel Offset	Load/Hub
0	12,500 lbs
0.56"	12,043 lbs
2.00"	11,000 lbs
2.38"	10,765 lbs
2.75"	10,538 lbs
3.50"	10,105 lbs
3.88"	9,899 lbs
6.66"	N/A

Lubricant Fill Volumes

33.60 fl-oz	Oil Lubrication Fill Level
145.8 cubic inches	Vol. Between Cup Seats Including Spindle Displacement
40 fl-oz	50% Fill Level for Semi-Fluid, Including Spindle Displacement

* Flanged wheel not included