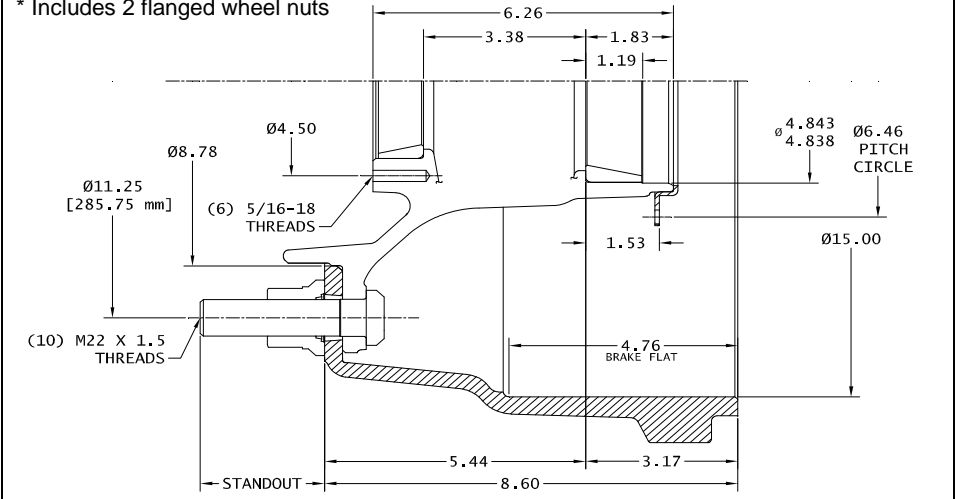
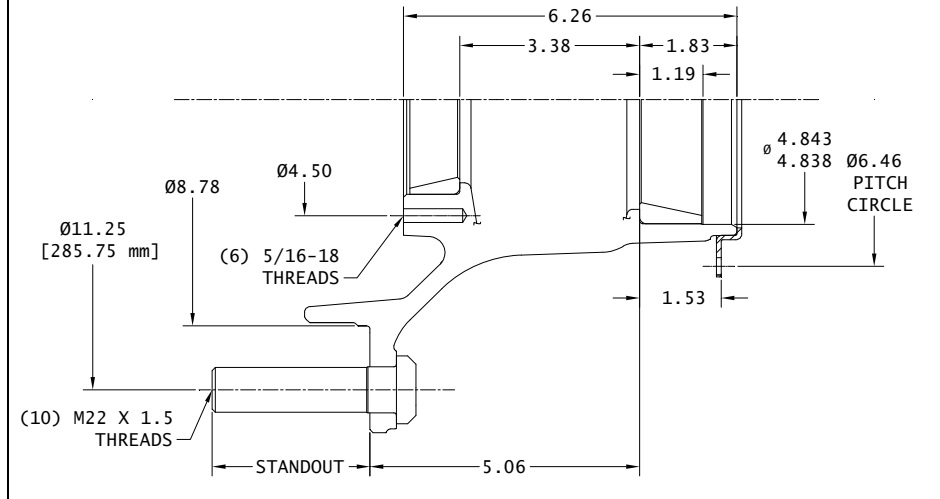


**Walther Engineering and Manufacturing Co., Inc.**

Part Number	Application	Standout	Lbs.	Bolts	Part Number	Application	Standout	Lbs.	Bolts
<b>Dura-Light Hubs® FF Axle</b>					<b>Dura-Light Hubs® FF with 15 x 4" Cast Brake Drum "Lift Axle Only"</b>				
01-00107-001	Hub Piloted/Aluminum Wheel	2.97"	29	02-00110	0103107-021098*	Hub/Cast Drum Assy,HP,AL Whl	2.59"	97	02-00110
01-00107-002	Hub Piloted/Steel Wheel	2.40"	28	02-00111	0103107-022098*	Hub/Cast Drum Assy,HP,ST Whl	2.03"	96	02-00111
01-00107-101	ABS Hub Piloted/Aluminum Wheel	2.97"	29	02-00110	0103107-121098*	ABS Hub/Cast Drum Assy,HP,Al Whl	2.59"	97	02-00110
01-00107-102	ABS Hub Piloted/Steel Wheel	2.40"	28	02-00111	0103107-122098*	ABS Hub/Cast Drum Assy,HP,St Whl	2.03"	96	02-00111



<b>FF Bearings</b>	
3720	bearing cup - outer bore
HM212011	bearing cup - inner bore
3782	bearing cone - outer bore
HM212049	bearing cone - inner bore

<b>Drums</b>			
13-00098	15 x 4" Cast Brake Drum "LIFT AXLE ONLY"	64 lbs	

<b>Component Parts</b>			
02-39702	Metfrom Two-piece, Flanged Wheel Nut, M22x1.5	.4 lbs	
ALL WEIGHTS ARE BASED ON NOMINAL COMPONENT WEIGHT			

<b>Hub Dynamic Load Ratings</b>	
Wheel Offset	Load/Hub
6.66"	6,600 lbs

<b>Lubricant Fill Volumes</b>	
12.89 fl-oz	Oil Lubrication Fill Level
58.58 cubic inches	Vol. Between Cup Seats Including Spindle Displacement
16.22 fl-oz	50% Fill Level for Semi-Fluid, Including Spindle Displacement