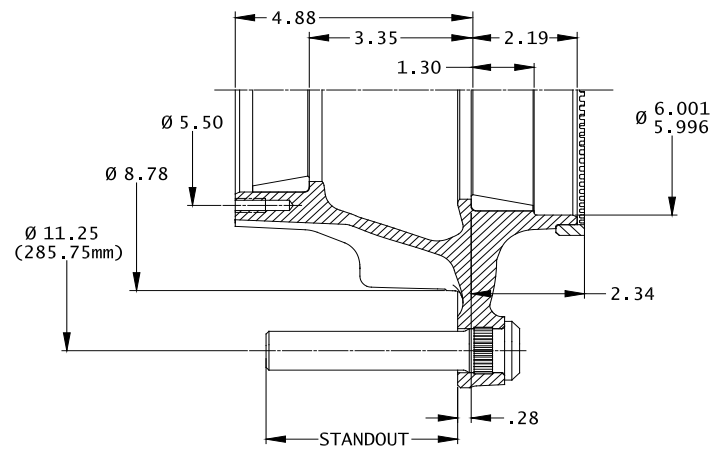


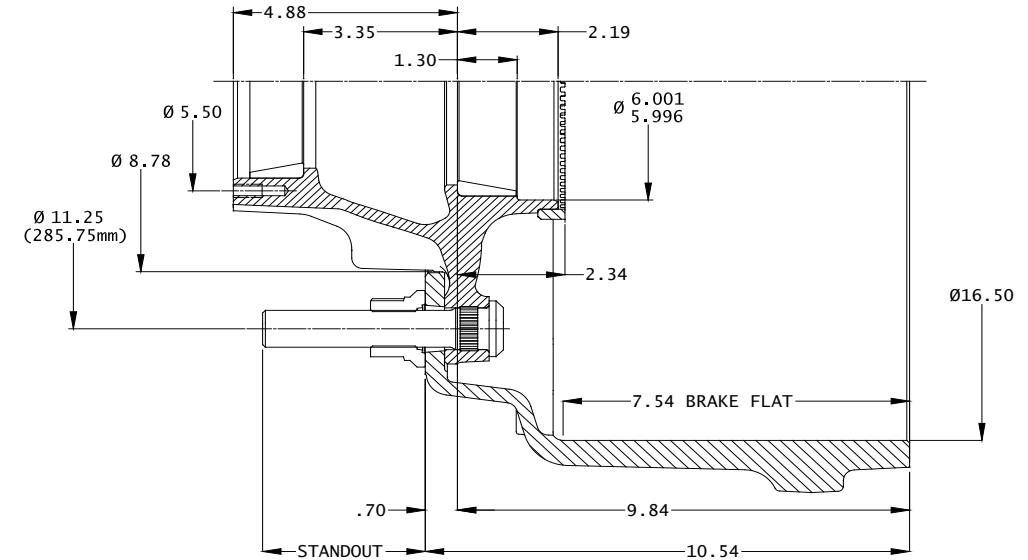
Walther Engineering and Manufacturing Co., Inc.

Part Number	Application	Standout	Lbs.	Bolts
Easy-Roll™ Hubs for N Tapered-Spindle Axles				
10-00106-001	Hub Piloted/Aluminum Dual Wheel	3.96"	44	02-00045
10-00106-002	Hub Piloted/Steel Dual Wheel	3.03"	42	02-00044
10-00106-003	Stud Piloted RH/Cast Brake Drum	1.88"	39	02-00057
10-00106-004	Stud Piloted LH/Cast Brake Drum	1.88"	39	20-00058
10-00106-005	Stud Piloted RH/Fused Brake Drum	1.63"	39	02-00061
10-00106-006	Stud Piloted LH/Fused Brake Drum	1.63"	39	20-00062
10-00106-101	ABS Hub Piloted/Aluminum Dual Wheel	3.96"	45	02-00045
10-00106-102	ABS Hub Piloted/Steel Dual Wheel	3.03"	42	02-00044
10-00106-103	ABS Stud Piloted RH/Cast Brake Drum	1.88"	40	02-00057
10-00106-104	ABS Stud Piloted LH/Cast Brake Drum	1.88"	40	20-00058
10-00106-105	ABS Stud Piloted RH/Fused Brake Drum	1.63"	40	02-00061
10-00106-106	ABS Stud Piloted LH/Fused Brake Drum	1.63"	40	20-00062



Part Number	Application	Standout	Lbs.	Bolts
Easy-Roll™ Hubs for N Tapered-Spindle Axles with 16.5 x 7" Cast Drum				
1003106-031043*	Hub/Cast Drum Assy,HP,AL Whl	3.54"	153	02-00045
1003106-032043*	Hub/Cast Drum Assy,HP,ST Whl	2.61"	151	02-00044
1006106-033043	Hub/Cast Drum Assy,SP,RH	1.46"	148	02-00057
1007106-034043	Hub/Cast Drum Assy,SP,LH	1.46"	148	20-00058
1003106-131043*	ABS Hub/Cast Drum Assy,HP,AL Whl	3.54"	154	02-00045
1003106-132043*	ABS Hub/Cast Drum Assy,HP,ST Whl	2.61"	152	02-00044
1006106-133043	ABS Hub/Cast Drum Assy,SP,RH	1.46"	149	02-00057
1007106-134043	ABS Hub/Cast Drum Assy,SP,LH	1.46"	149	20-00058

* Includes two flanged wheel nuts



N Bearings	
HM212011	bearing cup - outer bore
HM218210	bearing cup - inner bore
HM212049	bearing cone - outer bore
HM218248	bearing cone - inner bore

Drums		
03-00043	16.5 x 7" Cast Brake Drum	108 lbs
89996B	16.5 x 7" Centrifuse® Brake Drum	90 lbs

Component Parts			
02-39702	Metform - Two-piece, Flanged Wheel Nut,M22x1.5	.4 lbs	

Hub Dynamic Load Ratings	
Wheel Offset	Load/Hub
0	11,250 lbs
0.56"	10,839 lbs
2.00"	10,000 lbs
2.38"	9,689 lbs
2.75"	9,484 lbs
3.50"	9,095 lbs
3.88"	8,910 lbs
6.66"	N/A

Lubricant Fill Volumes	
20.88 fl-oz	Oil Lubrication Fill Level
94.65 in³	Vol. Between Cup Seats Including Spindle Displacement
26.22 fl-oz	50% Fill Level for Semi-Fluid, Including Spindle Displacement

Easy-Roll™ Hubs for N Tapered-Spindle Axles with 16.5 x 7" Centrifuse®				
1003106-041095*	Hub/Fused Drum Assy,HP,AL Whl	3.71"	135	02-00045
1003106-042095*	Hub/Fused Drum Assy,HP,ST Whl	2.78"	133	02-00044
1006106-045095	Hub/Fused Drum Assy,SP, RH	1.38"	129	02-00061
1007106-046095	Hub/Fused Drum Assy, SP,LH	1.38"	129	20-00062
1003106-141095*	ABS Hub/Fused Drum Assy,HP,AL Whl	3.71"	136	02-00045
1003106-142095*	ABS Hub/Fused Drum Assy,HP,ST Whl	2.78"	134	02-00044
1006106-145095	ABS Hub/Fused Drum Assy,SP,RH	1.38"	130	02-00061
1007106-146095	ABS Hub/Fused Drum Assy,SP,LH	1.38"	130	20-00062

* Includes two flanged wheel nuts

